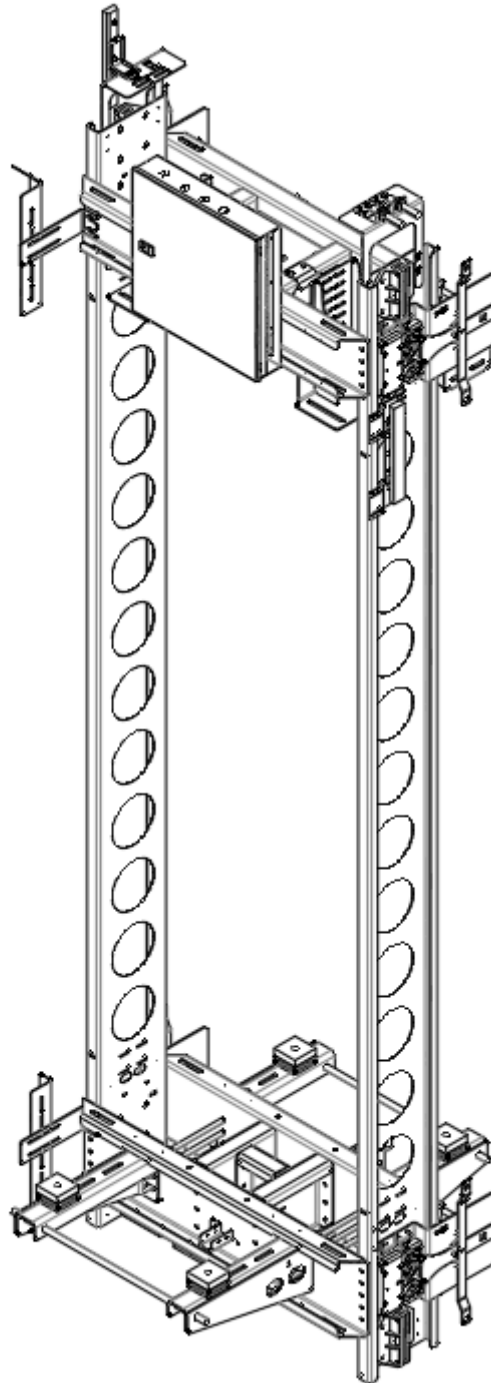


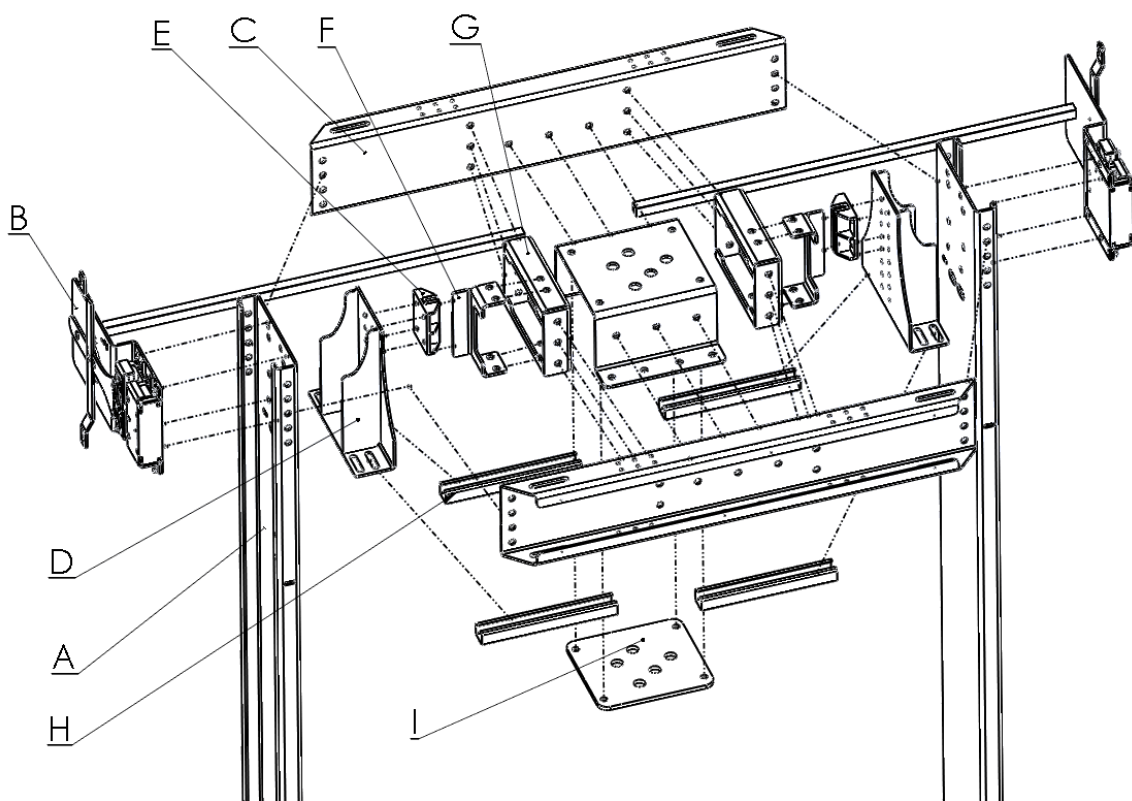


MODEL 4000 1:1 CABIN FRAME



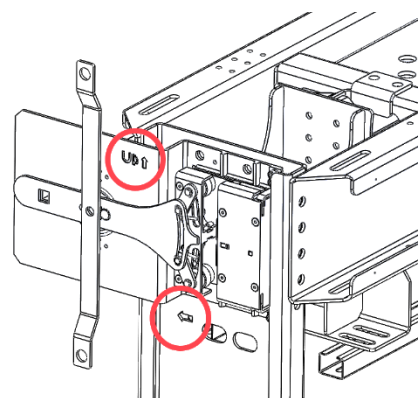


Cabin Frame



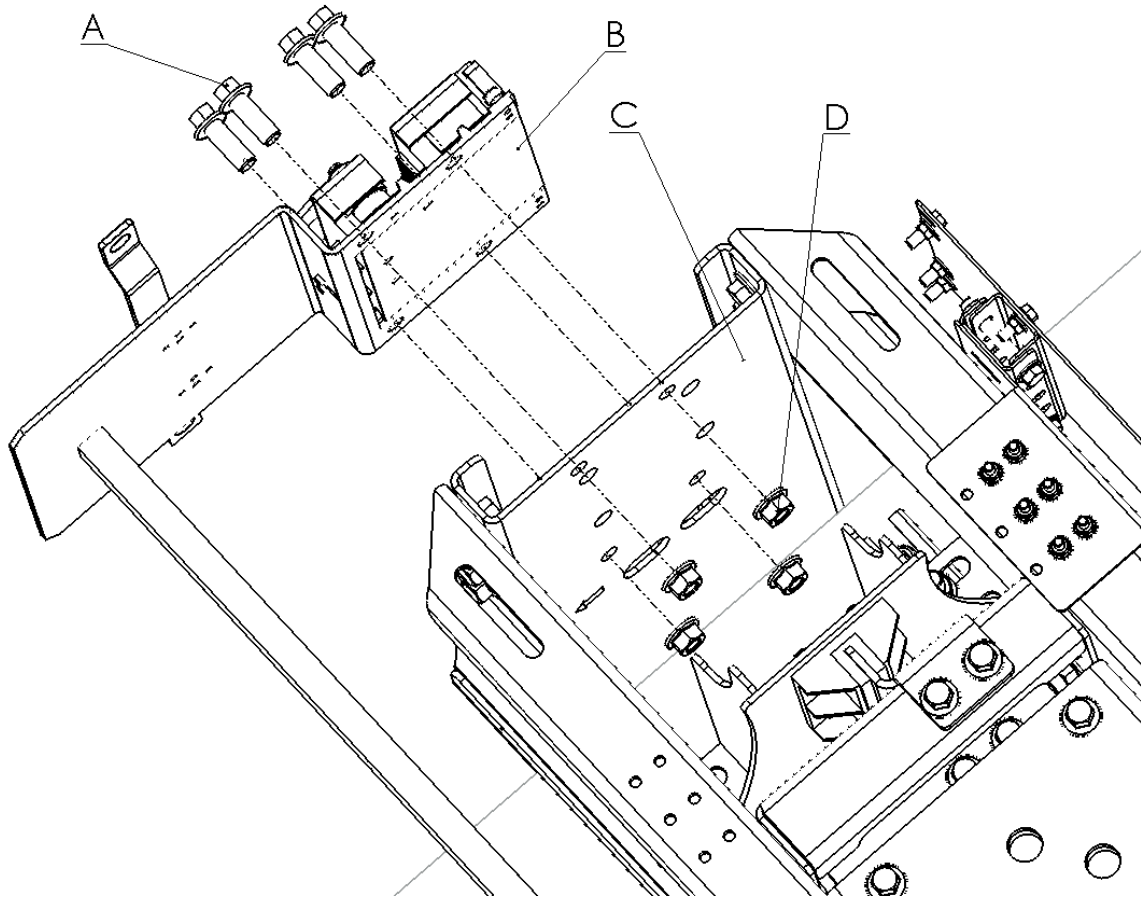
- A- Cabin vertical frame
A/B
- B- Safety gear - Dynatech
- C- Cabin top horizontal frame
- D- Holder for guide rail shoes
- E- Guide rail shoes
- F- Holder
- G- Stiffener for Cabin horizontal frame
- H- Connection of Cabin ceiling and Cat
- I- Plate

Parts





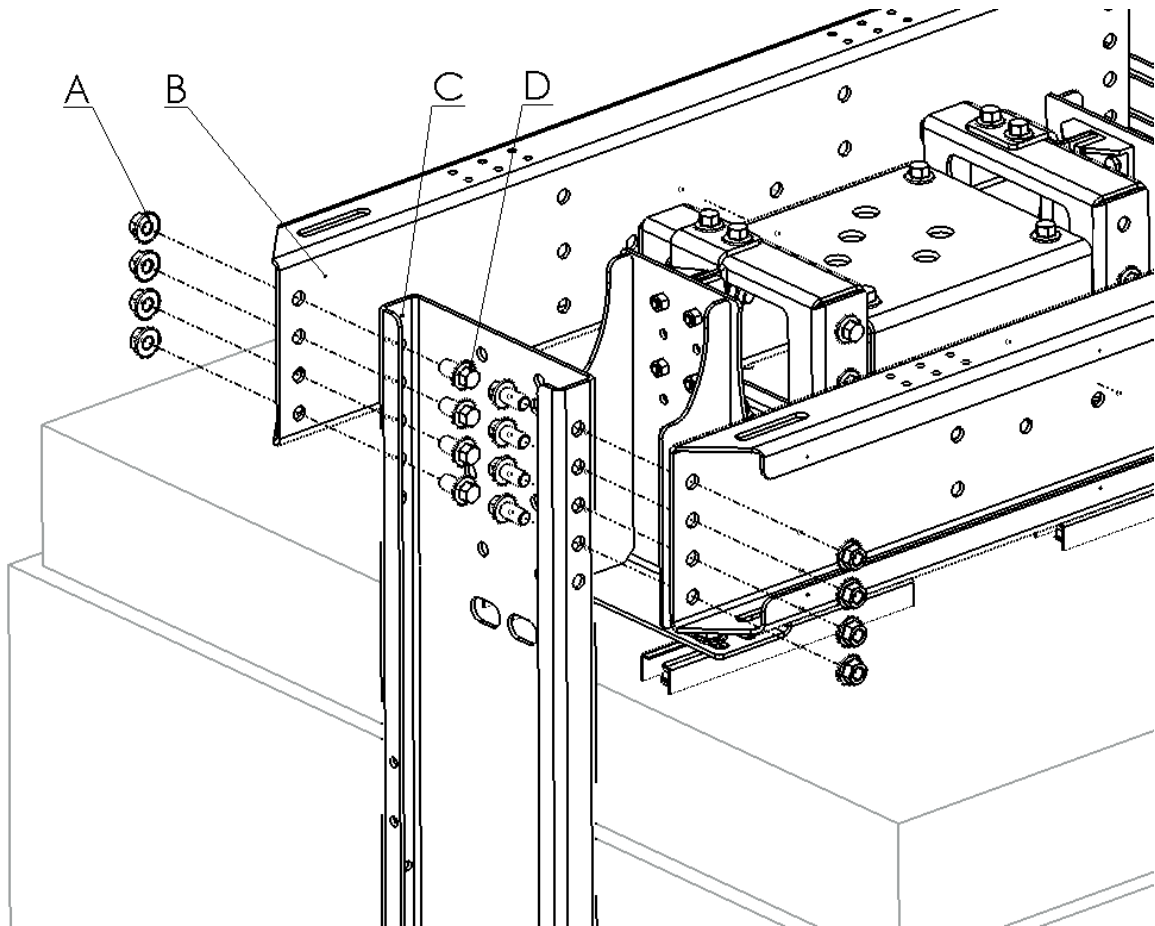
Cabin Frame



- A- Bolt M12x35 ISO 4162
- B- Safety gear
- C- Cabin vertical frame
- D- Nut M12 ISO 4161



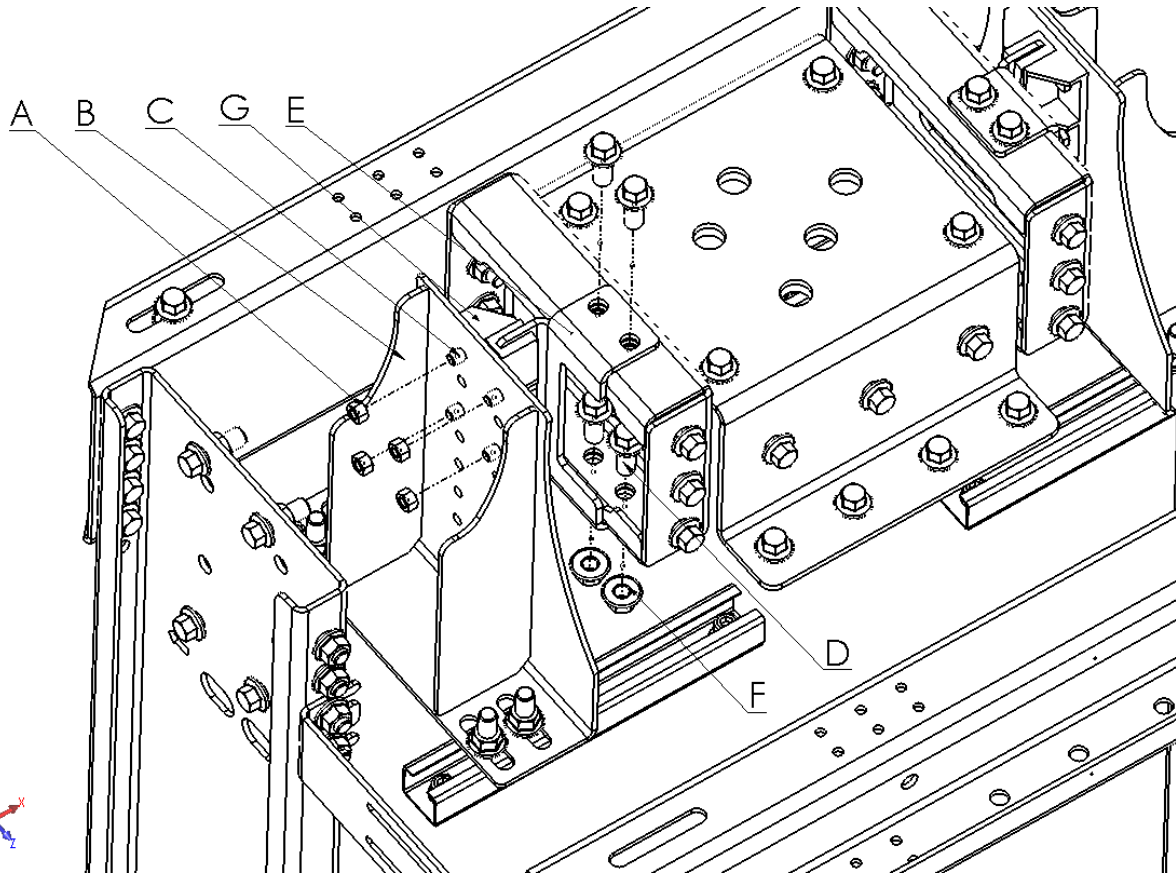
Cabin Frame



- A- Nut M12 ISO 4161
- B- Cabin top horizontal frame
- C- Cabin vertical frame
- D- Bolt M12x25 ISO 4162



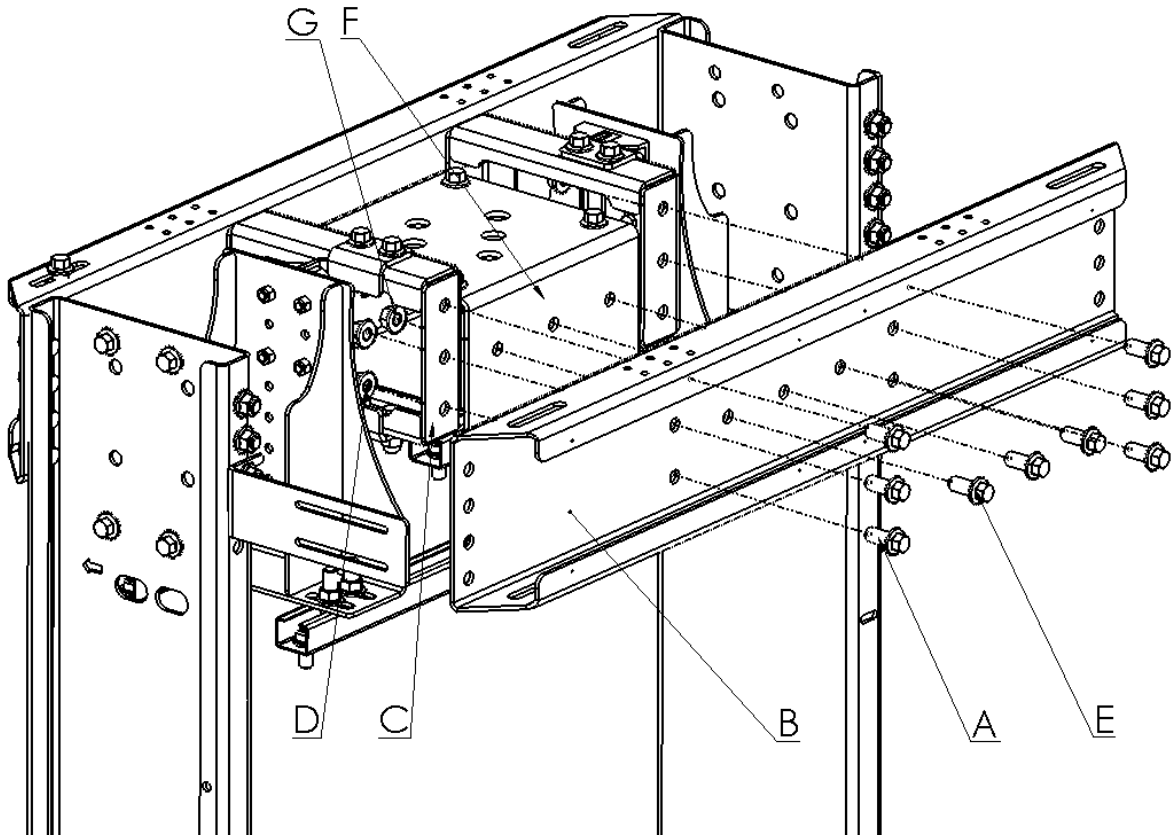
Cabin Frame



- A- Nut M8 ISO 4034
- B- Holder for guide shoes
- C- Bolt M8x20 ISO 4017
- D- Bolt M12x30 ISO 4162
- E- Lead for guide rail shoes
- F- Nut M12 ISO 4161
- G- Guide rail shoes



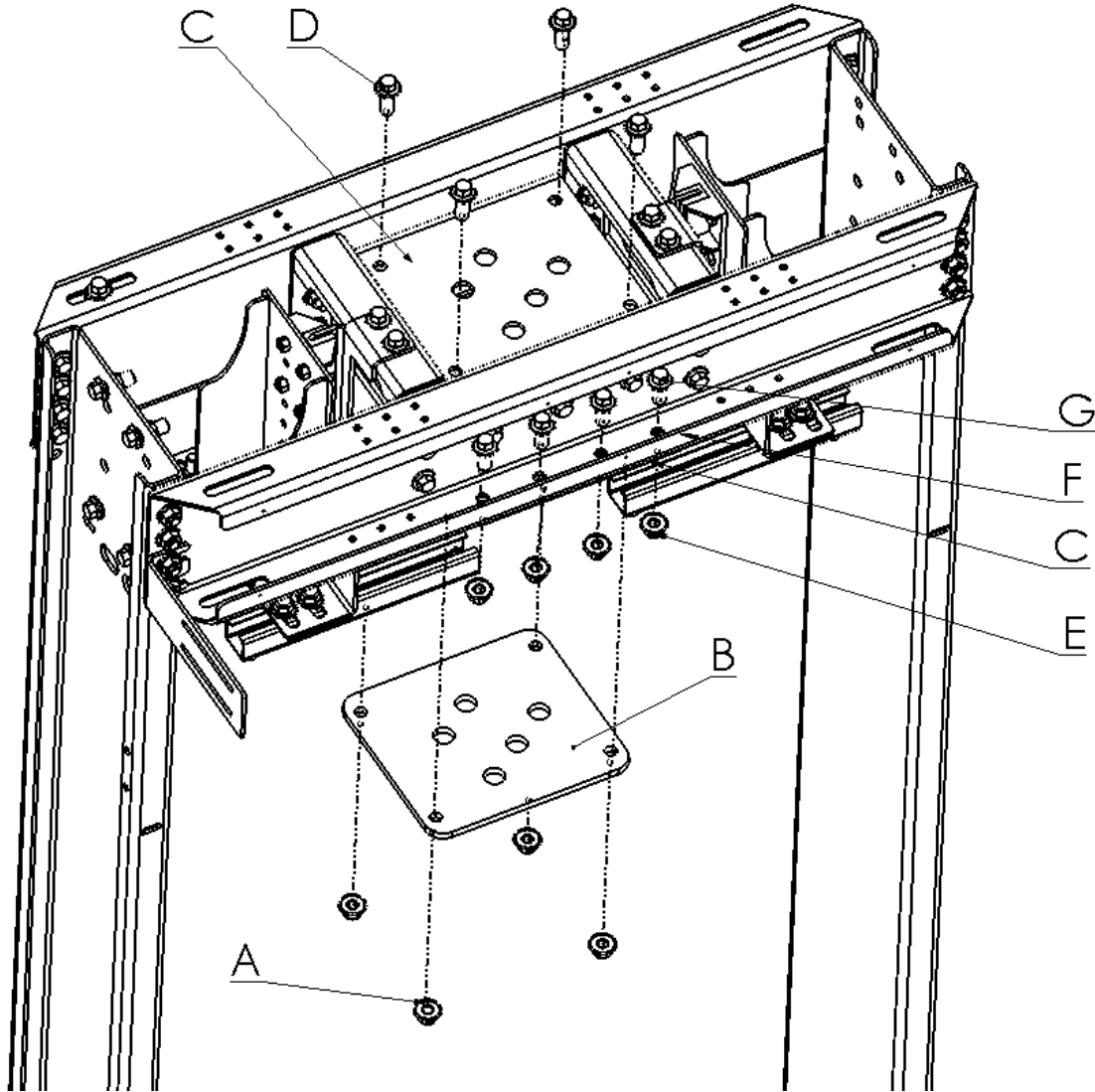
Cabin Frame



- A- Bolt M12x30 ISO 4162
- B- Cabin top horizontal frame
- C- Stiffener for Cabin horizontal frame
- D- Nut M12 ISO 4161
- E- Bolt M12x30 ISO 4162
- F- Upper hinge
- G- Nut M12 ISO 4161



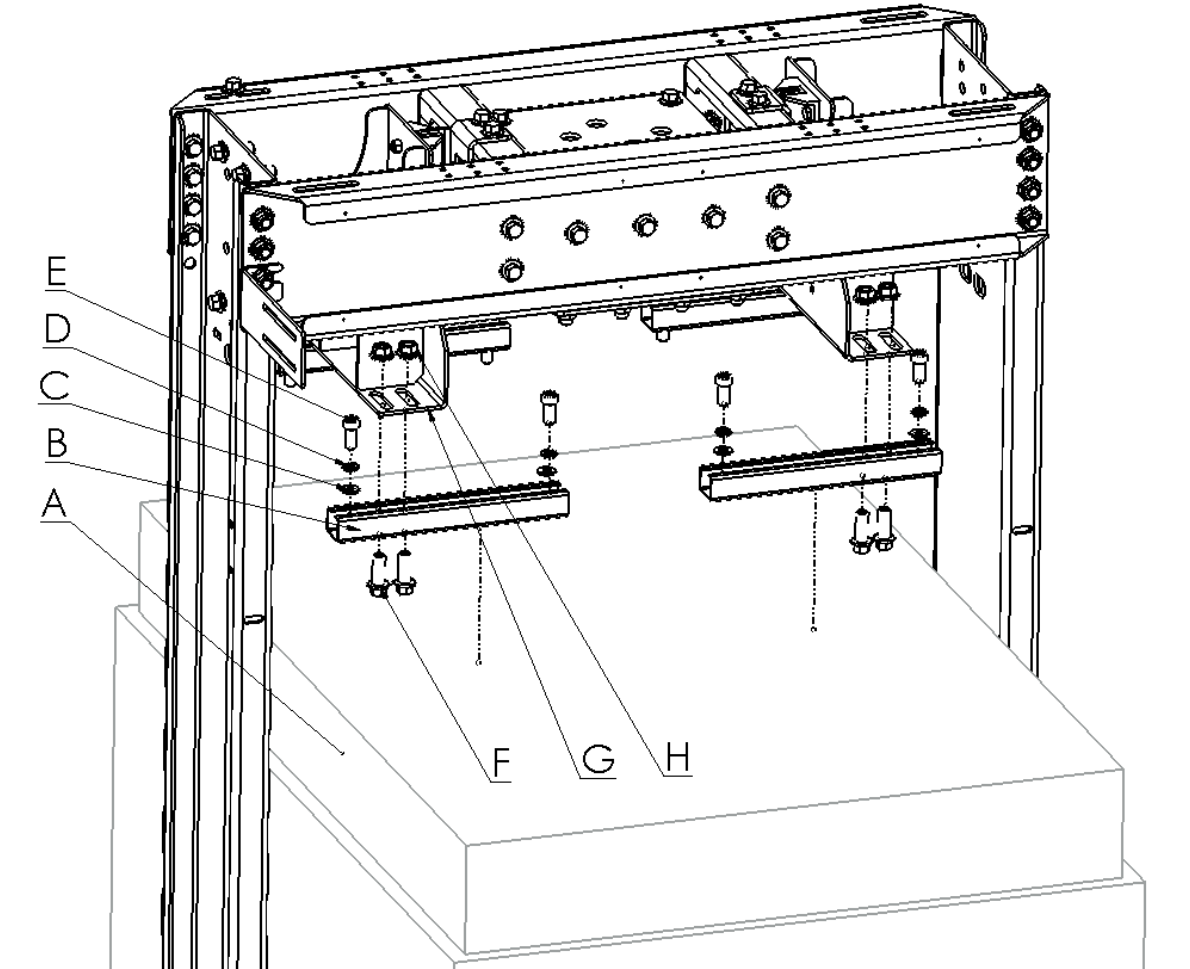
Cabin Frame



- A- Nut M12 ISO 4161
- B- Plate
- C- Upper hinge
- D- Bolt M12x35 ISO 4162
- E- Nut M12 ISO 4161
- F- Cabin top horizontal frame
- G- Bolt M12x30 ISO 4162



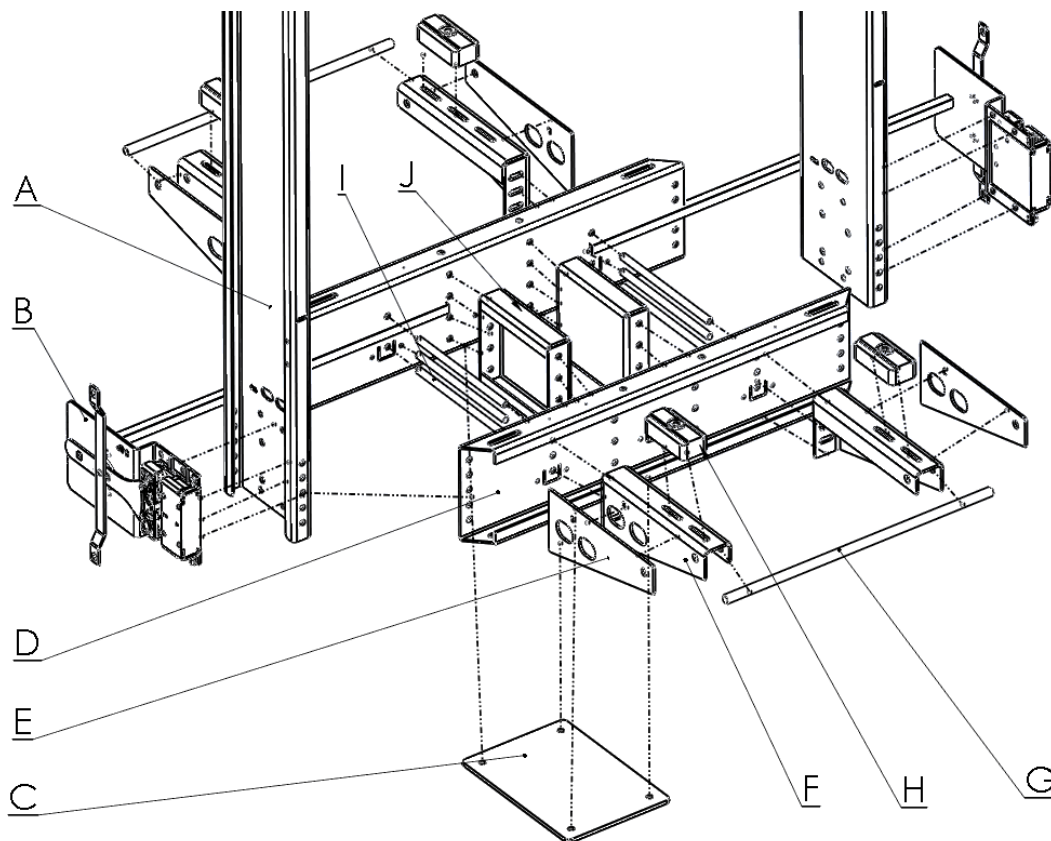
Cabin Frame



- A- Cabin
- B- C profile for grip cabin
- C- Washer A-9.3 DIN 6902
- D- Lock washer 9.3 Fst DIN DIN 6905
- E- Socket head cap screw M10x25 ISO 4762
- F- Bolt M12x35 ISO 4162
- G- L profile
- H- Nut M12 ISO 4161



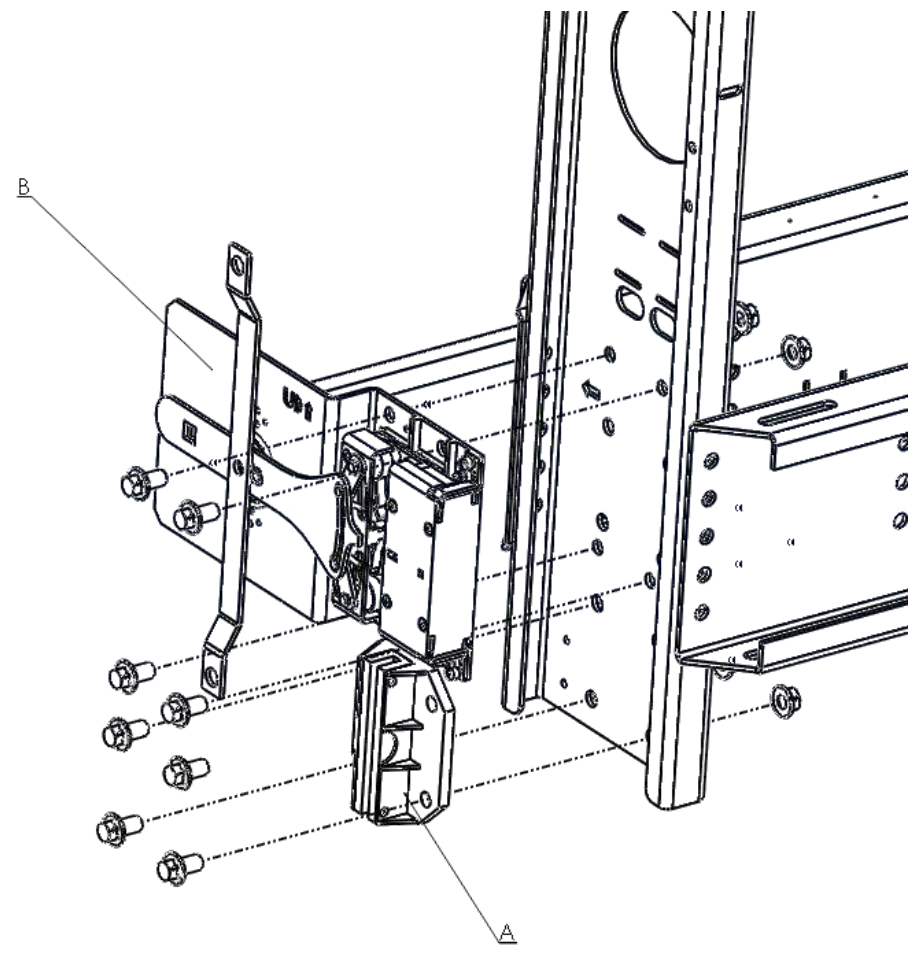
Cabin Frame



- A- Cabin vertical frame
- B- Safety gear - Dynatech
- C- Plate
- D- Cabin bottom horizontal frame
- E- Console
- F- Support console
- G- Rod
- H- Overload device
- I- Support rod

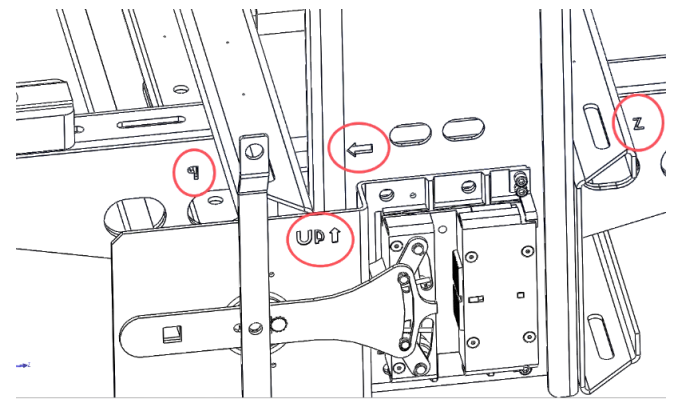


Cabin Frame



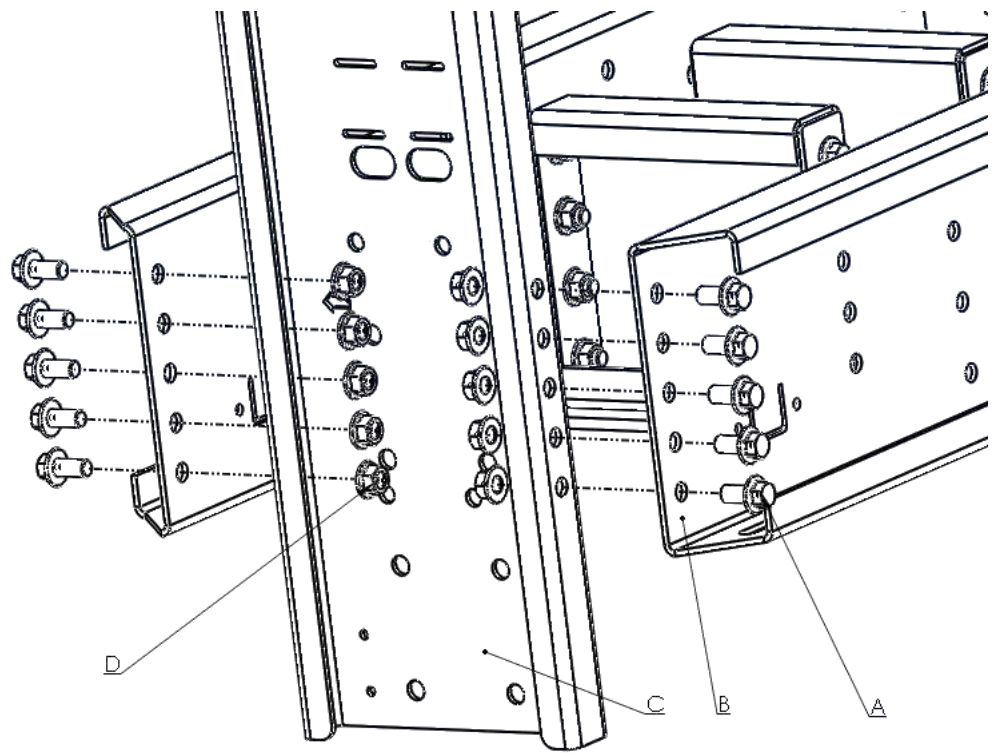
- A- Rail guide shoes
- B- Safety gear – Dynatech

Part B





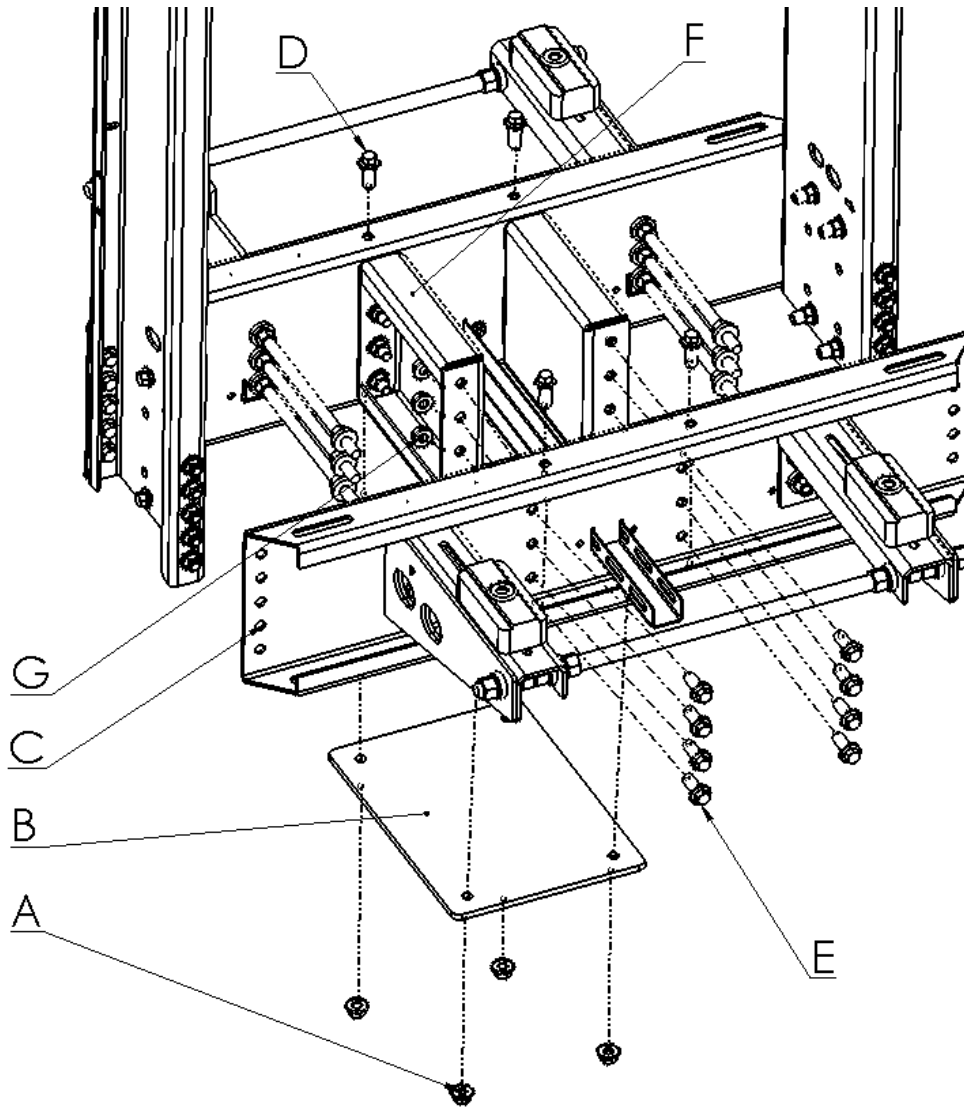
Cabin Frame



- A- Bolt M12x35 ISO 4162
- B- Cabin bottom horizontal frame
- C- Cabin bottom vertical frame
- D- Nut M12 ISO 4161



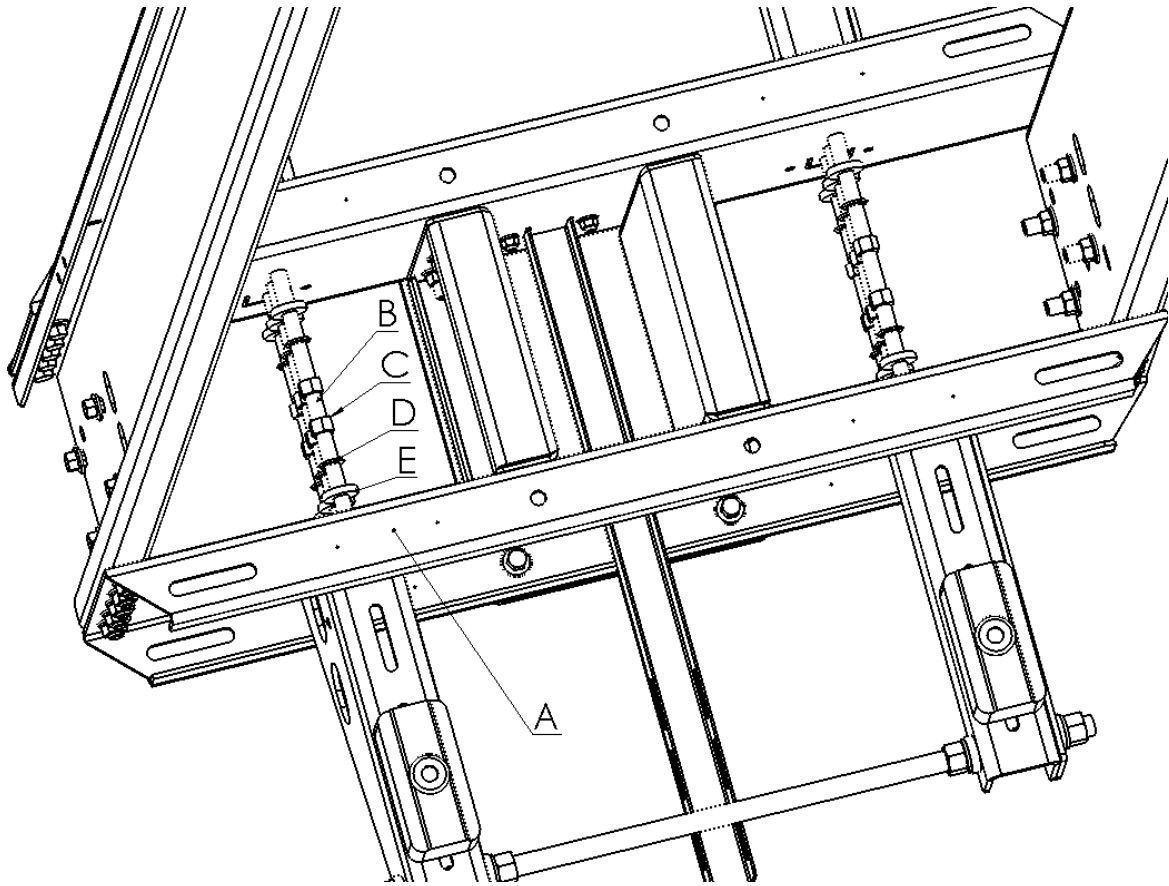
Cabin Frame



- A- Nut M12 ISO 4161
- B- Plate
- C- Cabin bottom horizontal frame
- D- Bolt M12x35 ISO 4162
- E- Bolt M12x35 ISO 4162
- F- Stiffener



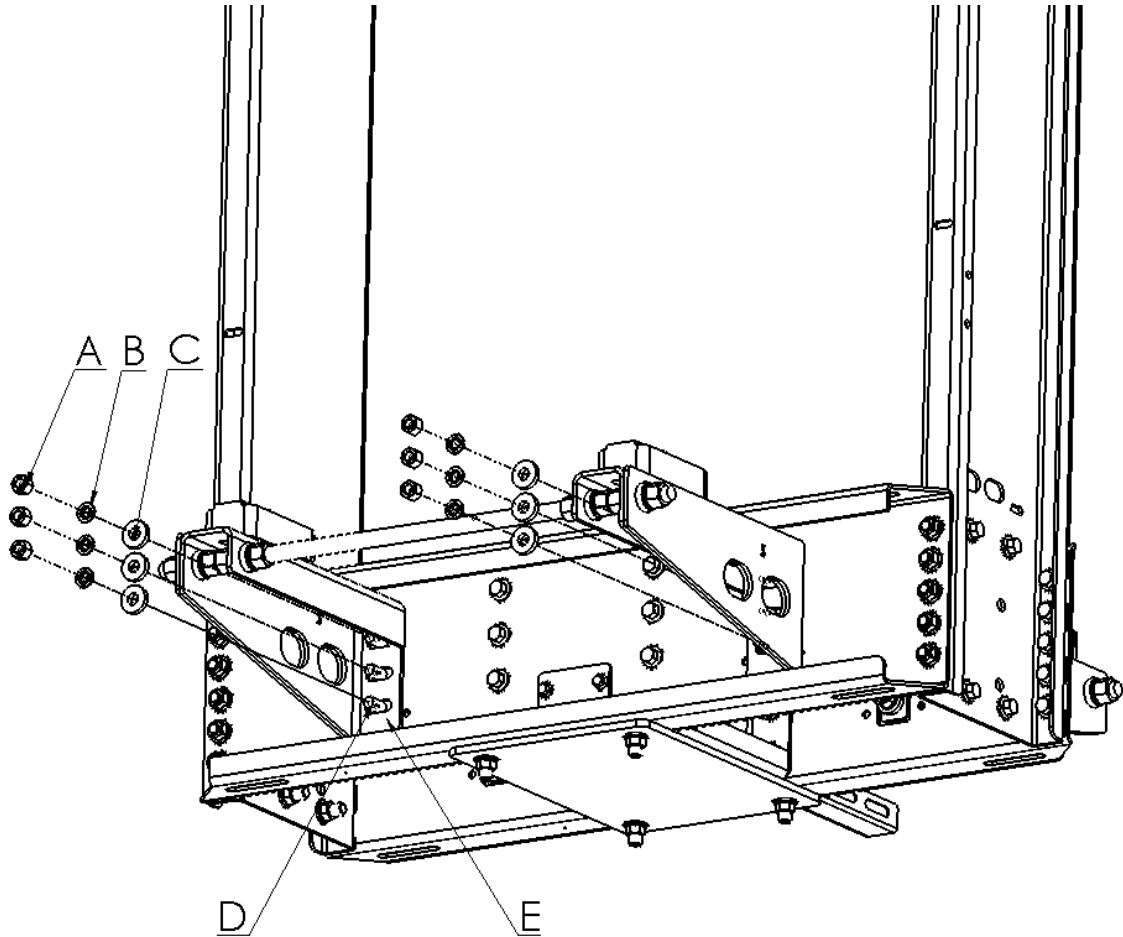
Cabin Frame



- A- Cabin bottom horizontal frame
- B- Threaded rod
- C- Nut M12 ISO 4034
- D- Lock washer A12 DIN 128
- E- Washer 13 St DIN 7349



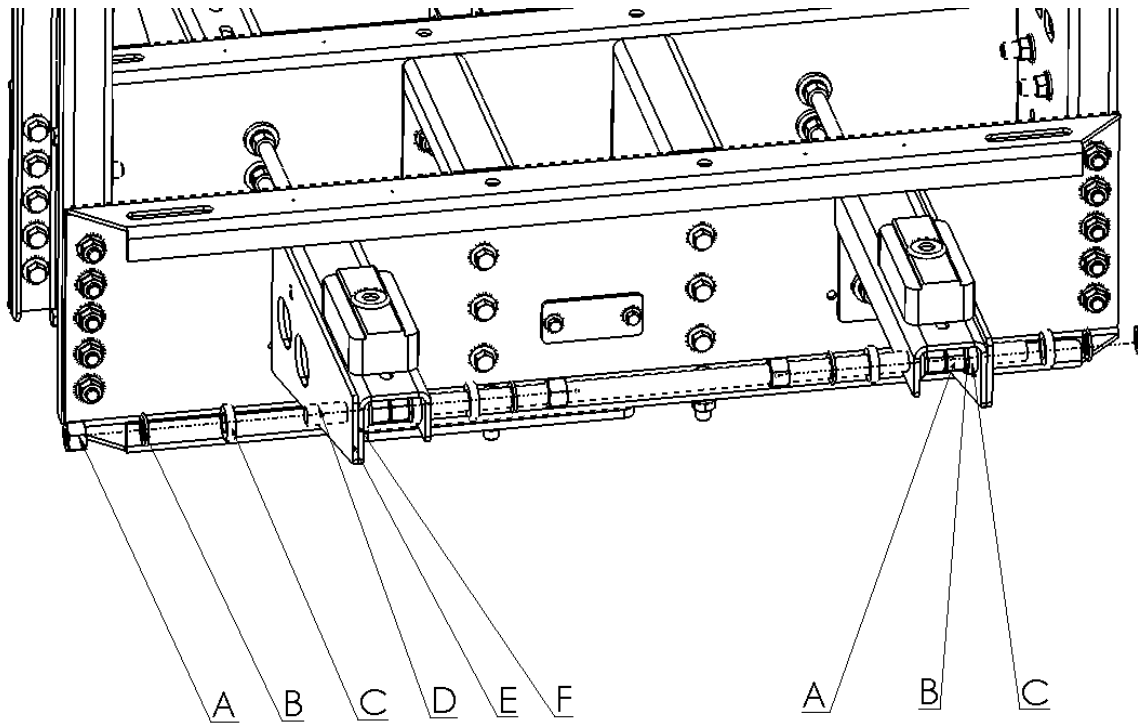
Cabin Frame



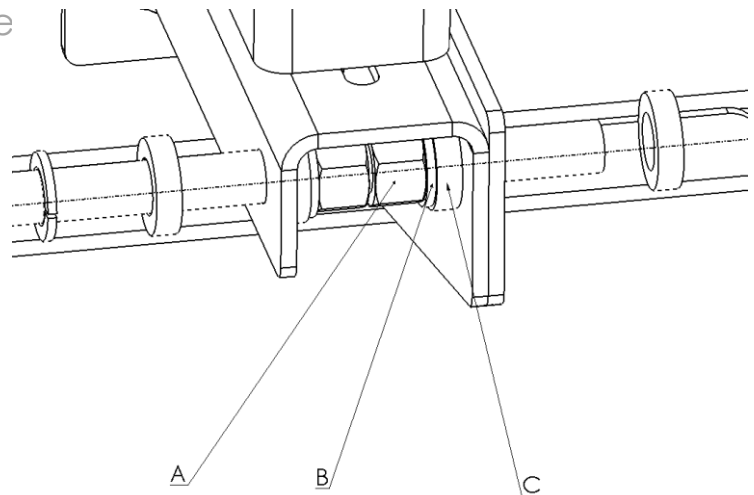
- A- Nut M12 ISO 4034
- B- Lock washer A12 DIN 128
- C- Washer 13 St DIN 7349
- D- Threaded rod
- E- Cabin holder



Cabin Frame

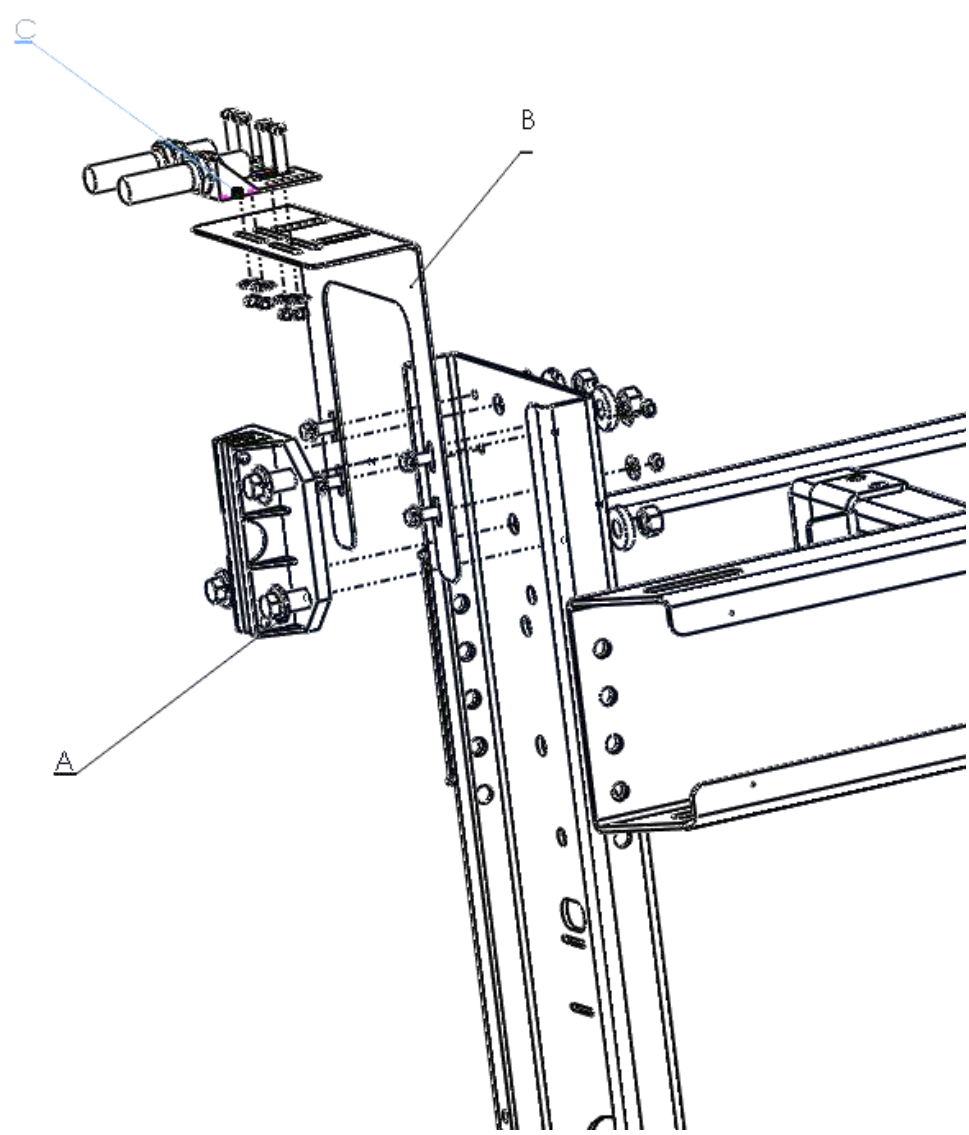


- A- Nut M16 ISO 4034
- B- Lock washer A16 DIN 128
- C- Washer 18-A-St DIN 7989
- D- Threaded rod
- E- Support welded console
- F- Support console





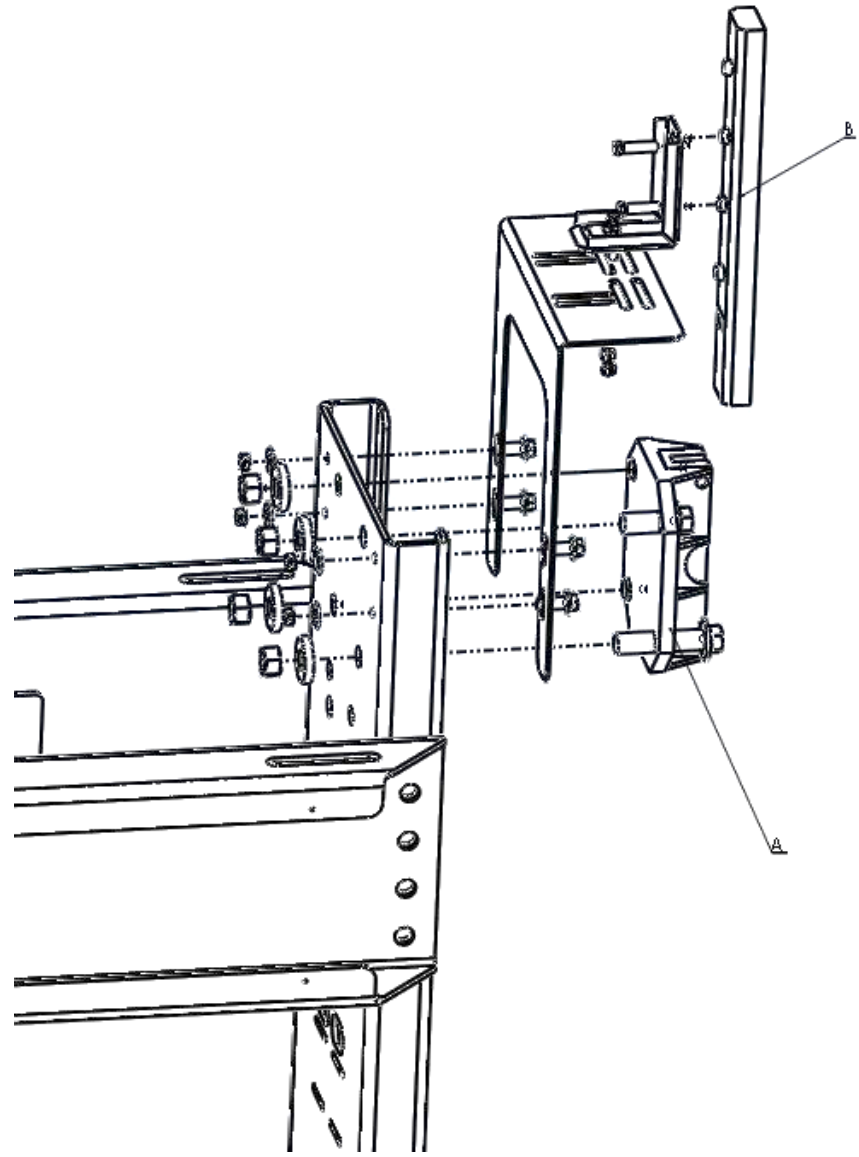
Cabin Frame



- A- Guide rail shoes
- B- Holder for rail sensor
- C- Sensors



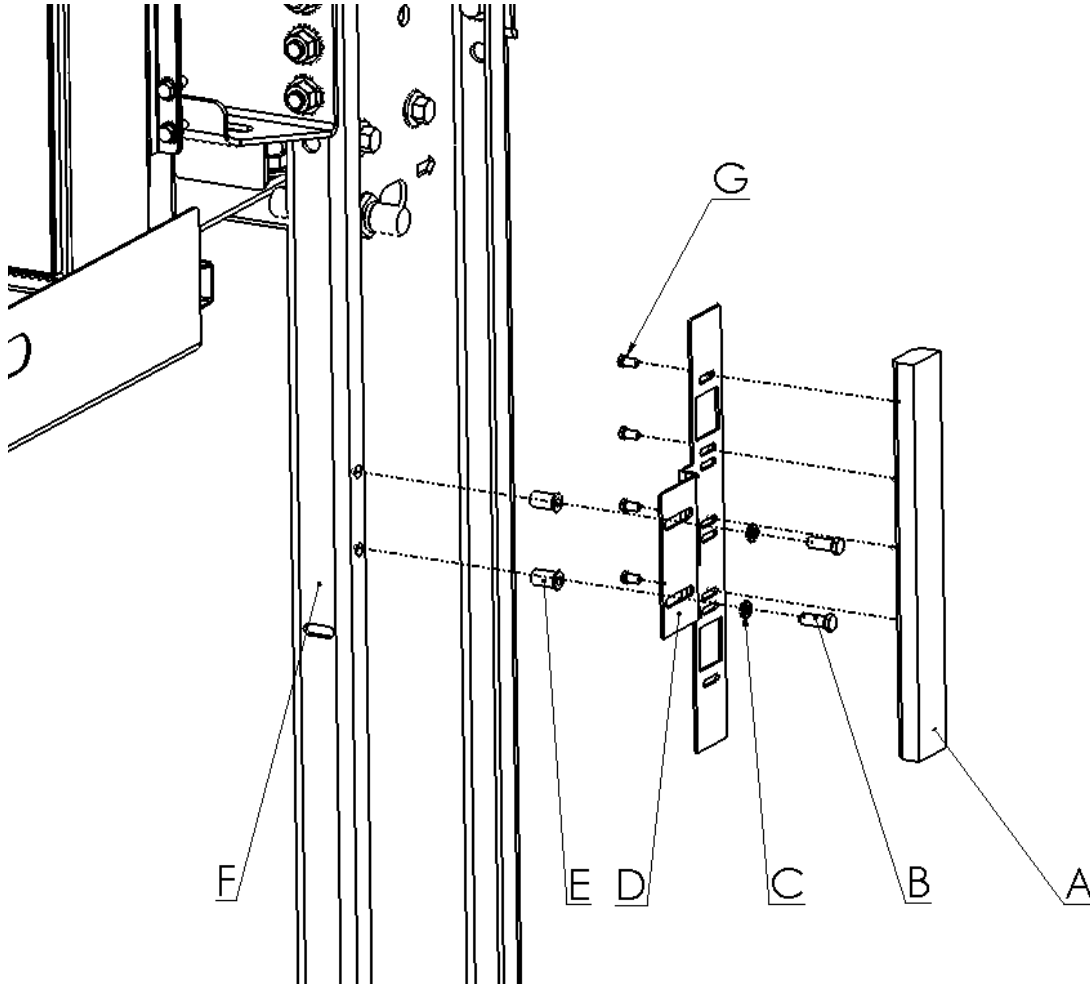
Cabin Frame



- A- Rail guide shoes
- B- Lift sense holder



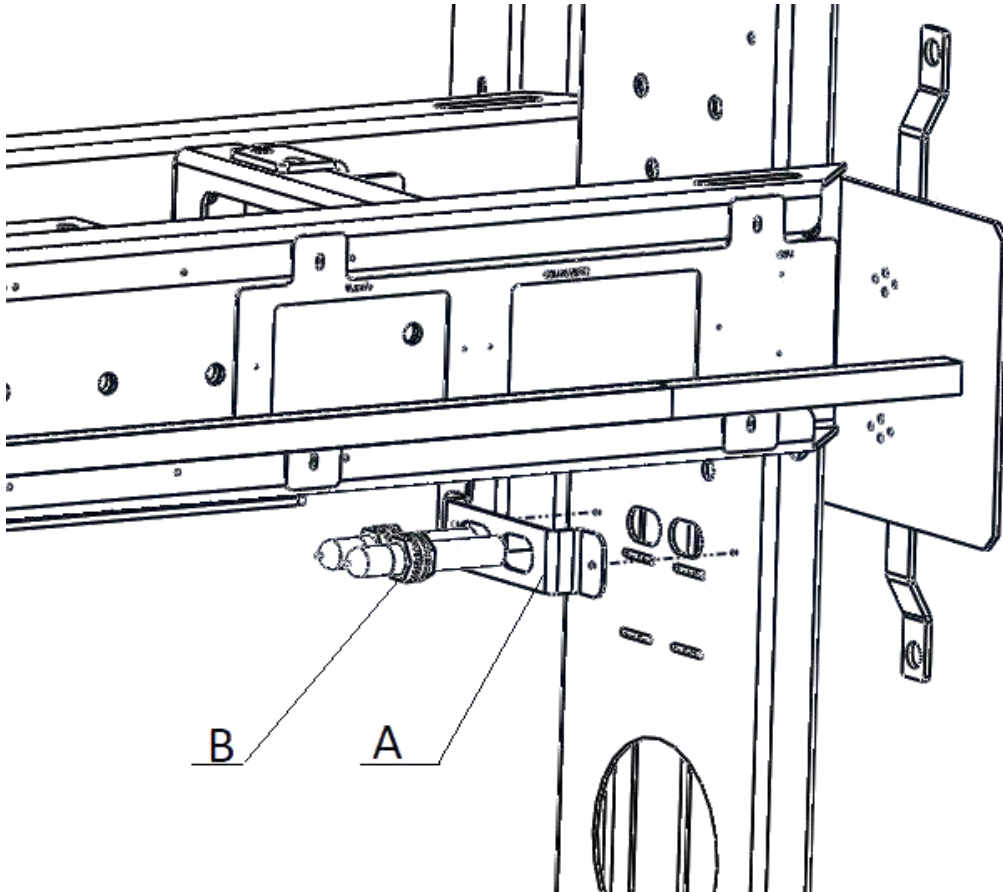
Cabin Frame



- A- Sensor 300mm
- B- Bolt M6x20 ISO 4017
- C- Lock washer 5.5-FSt DIN 6905
- D- Holder for sensor
- E- Rivet nut M6
- F- Cabin bottom vertical frame
- G- Screw M4x10 ISO 4017



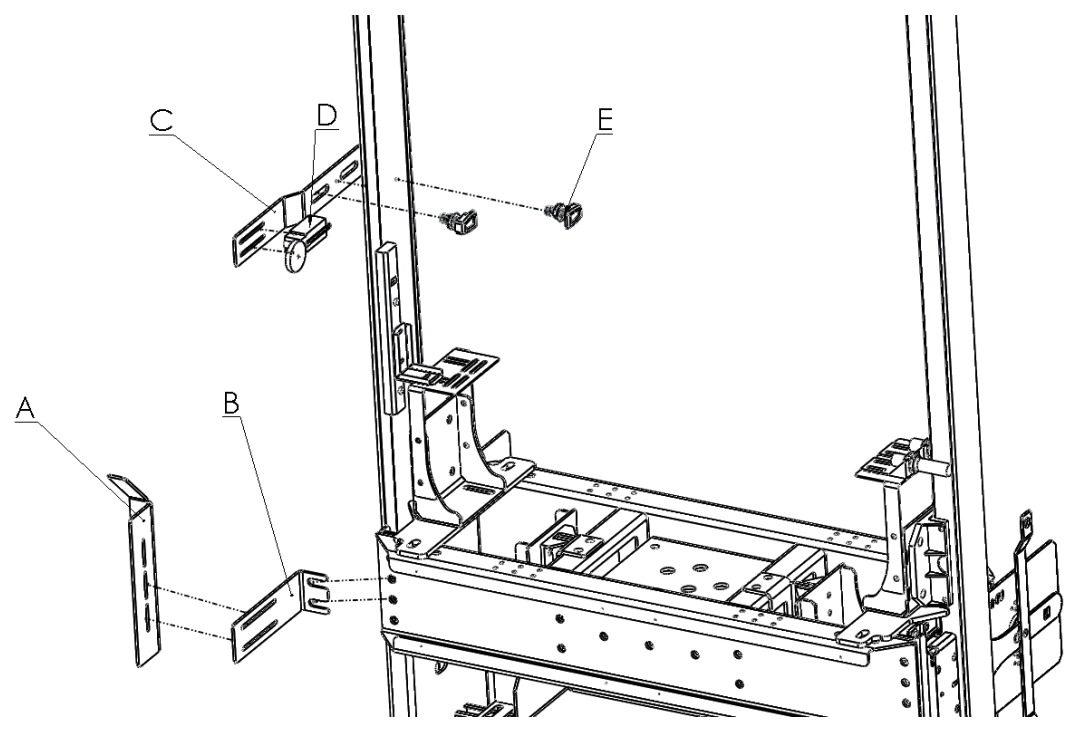
Cabin Frame



- A- Holder for rail sensor
- B- Sensors



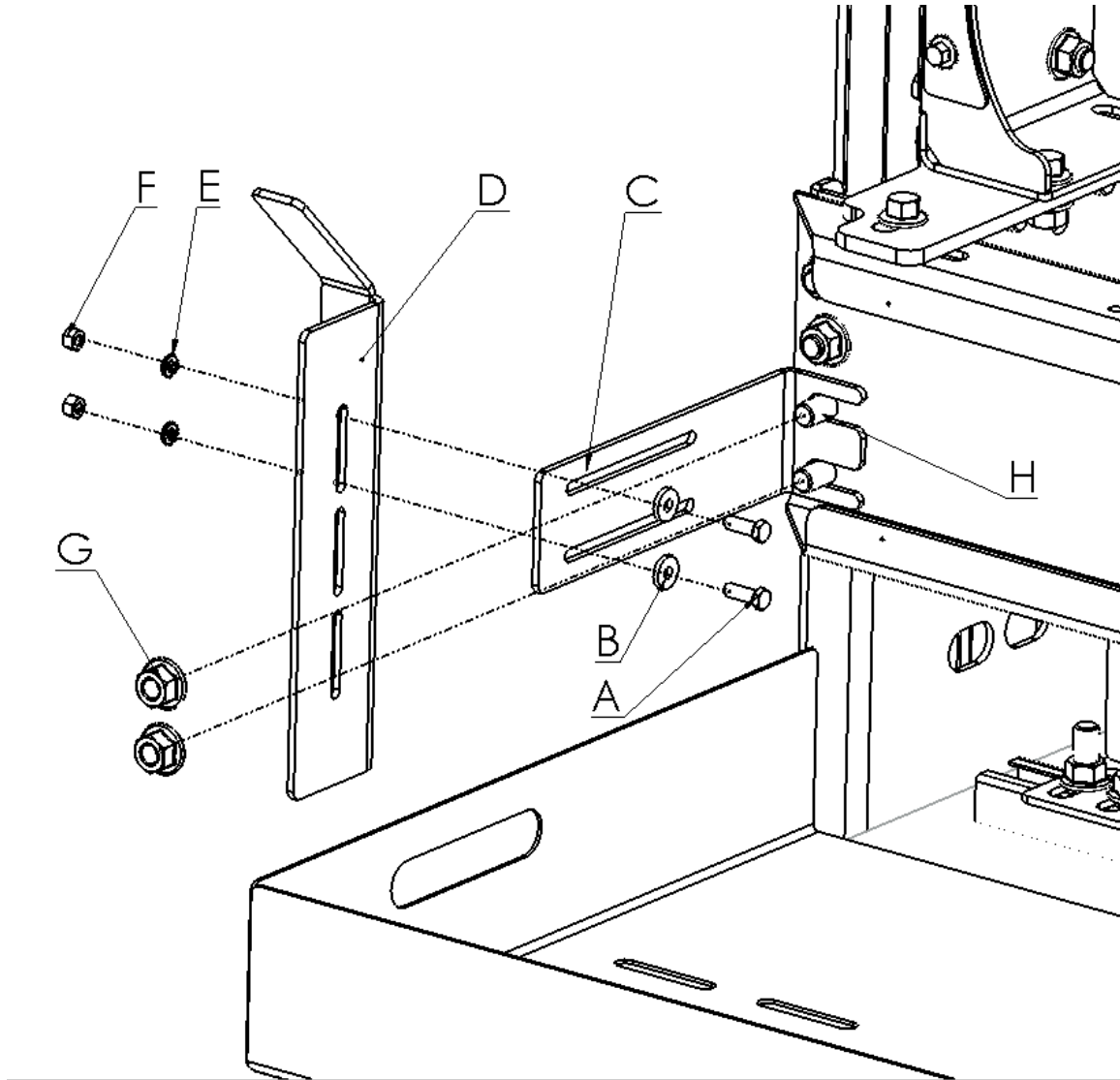
Cabin Frame



- A- Plate
- B- Holder for sensor
- C- Limit switch holder
- D- Limit switch sensor
- E- T2-clips



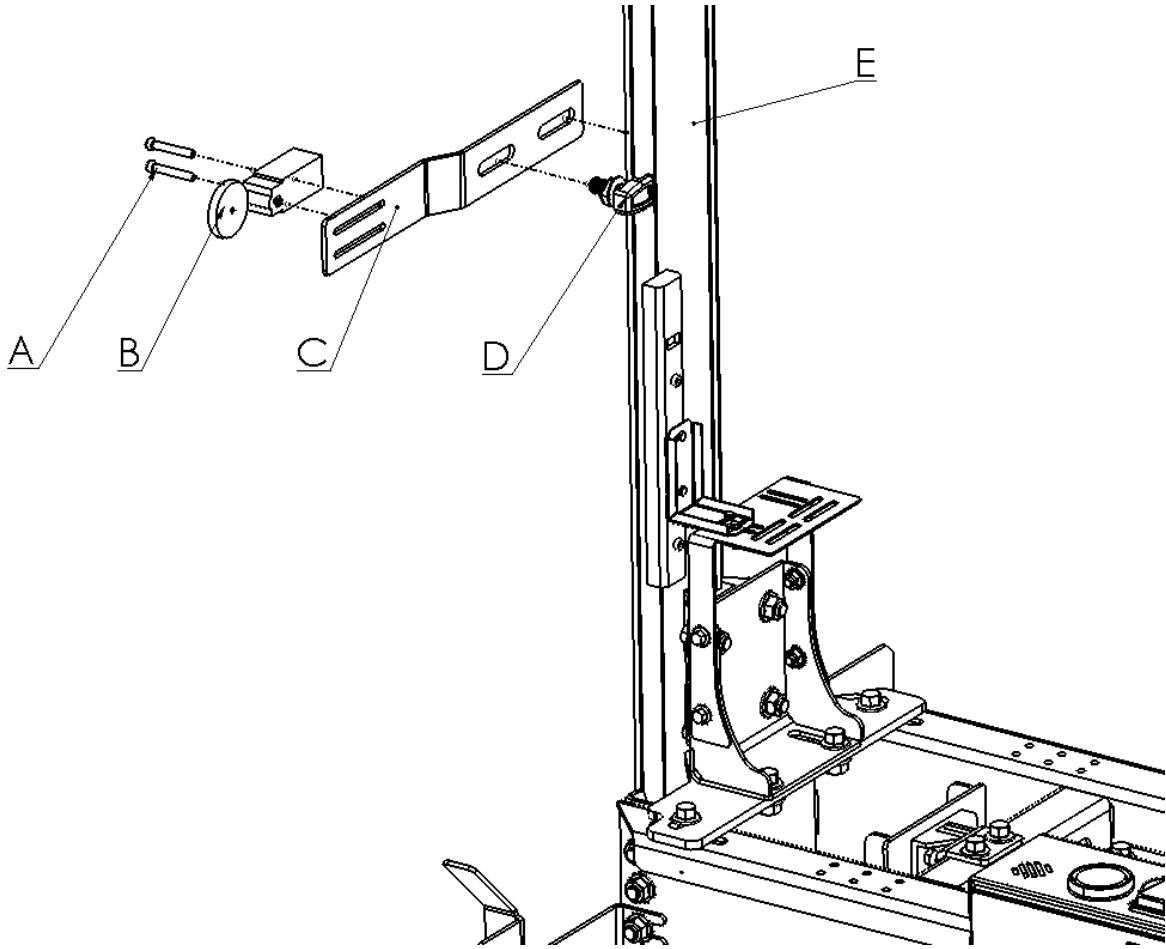
Cabin Frame



- A- Bolt M6x20 ISO4 6017
- B- Washer 6.4 DIN 6340
- C- Holder for sensor
- D- Plate
- E- Washer 5.5 FSt DIN 6905
- F- Nut M6 ISO 4034
- G- Nut M12 ISO 4161
- H- H-Bolt M12x30 ISO 4162



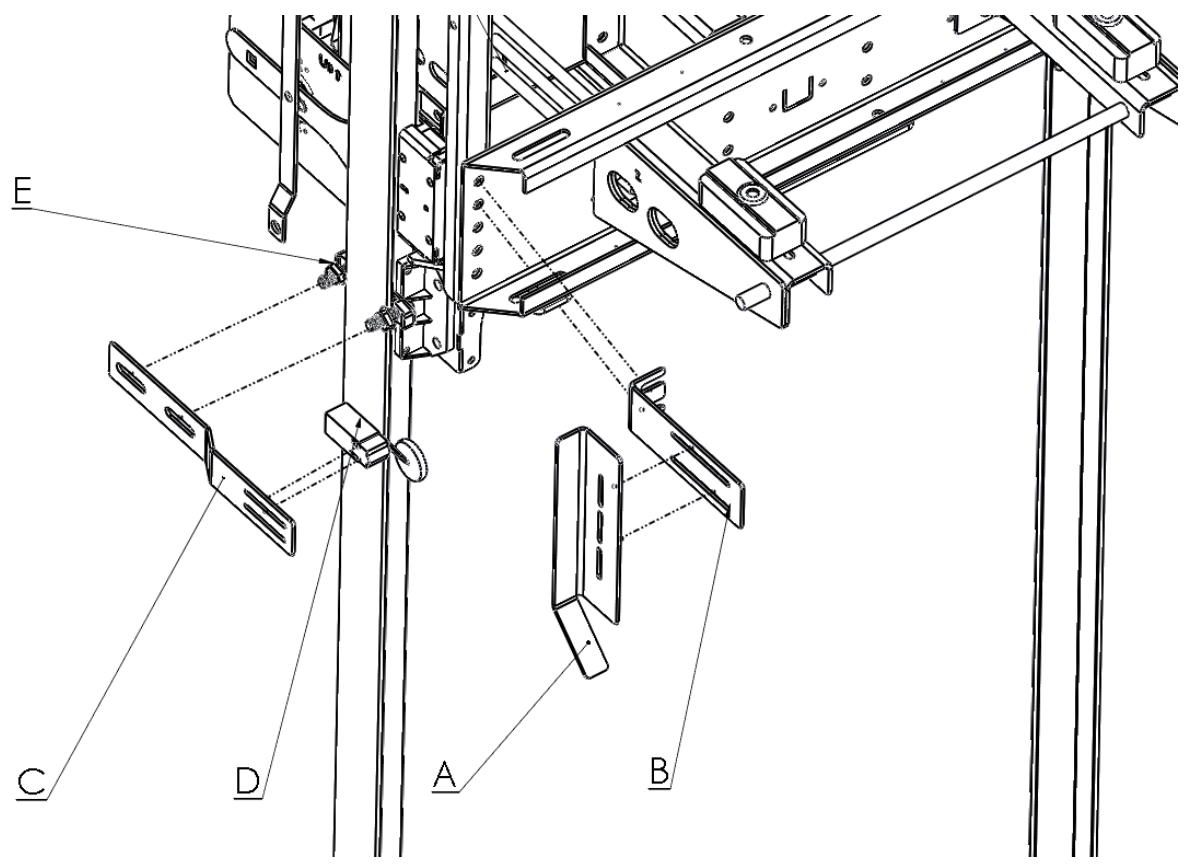
Cabin Frame



- A- Screw M5x40 ISO 4762
- B- Limit switch sensor
- C- Limit switch holder
- D- T2-clips
- E- Rail guide



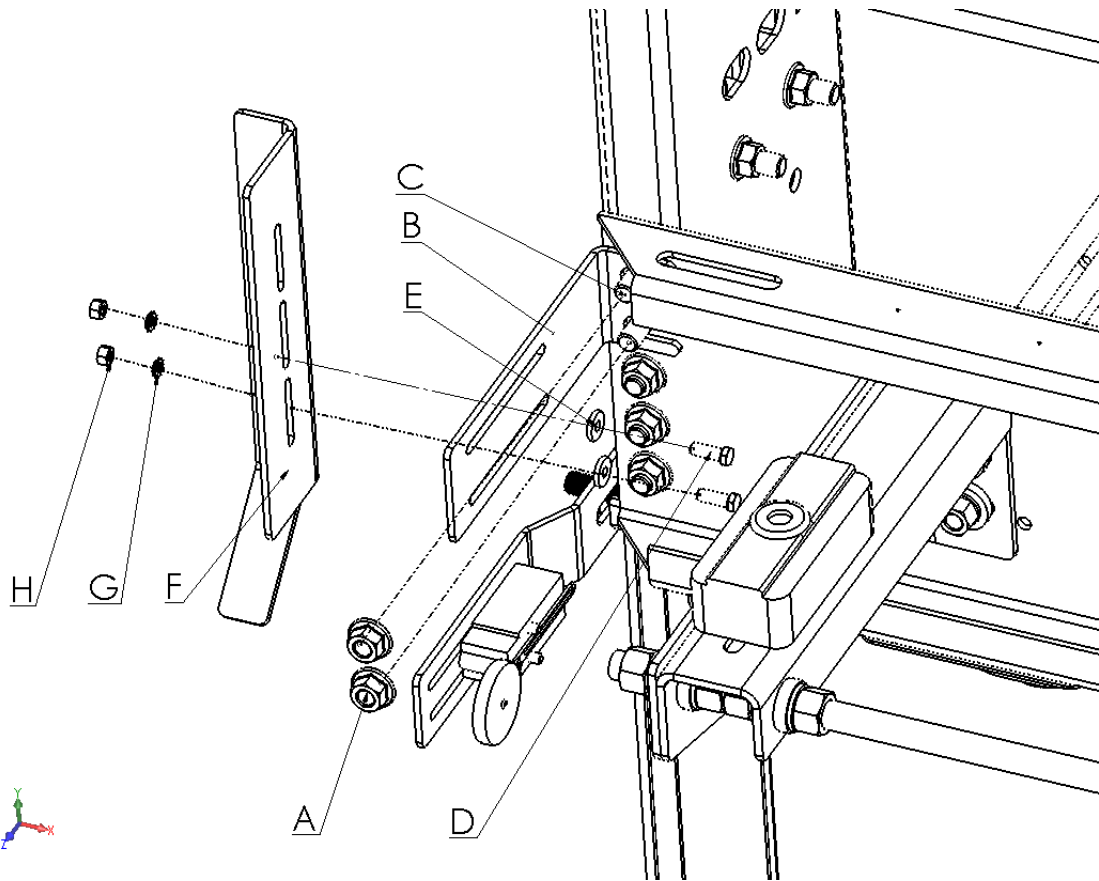
Cabin Frame



- A- Plate
- B- Holder for sensor
- C- Limit switch holder
- D- Limit switch sensor
- E- T2-clips



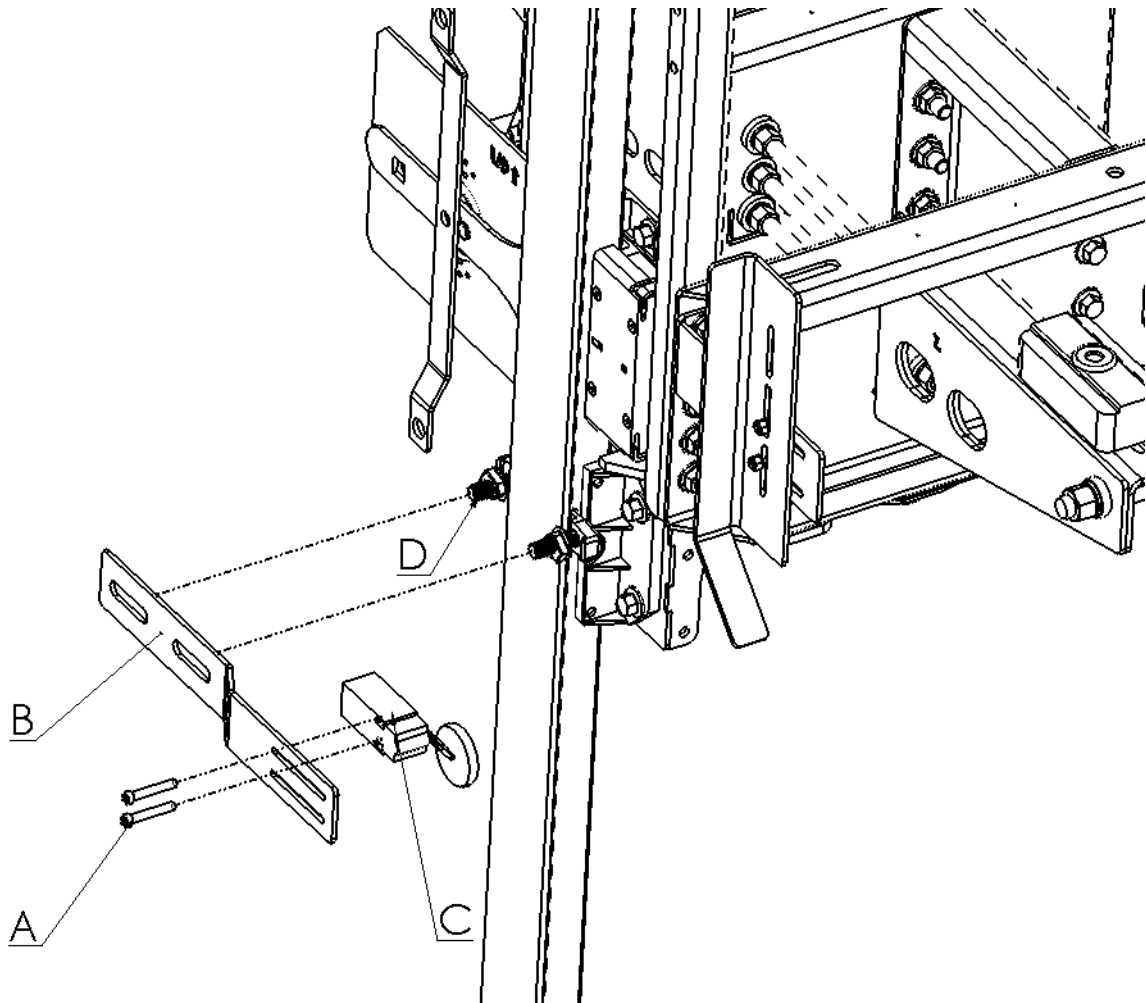
Cabin Frame



- A- Nut M12 ISO 4161
- B- Holder for sensor
- C- Bolt M12x30 ISO 4162
- D- Bolt M6x20 ISO4 6017
- E- Washer 6.4 DIN 6340
- F- Plate
- G- Washer 5.5 FSt DIN 6905
- H- Nut M6 ISO 4034



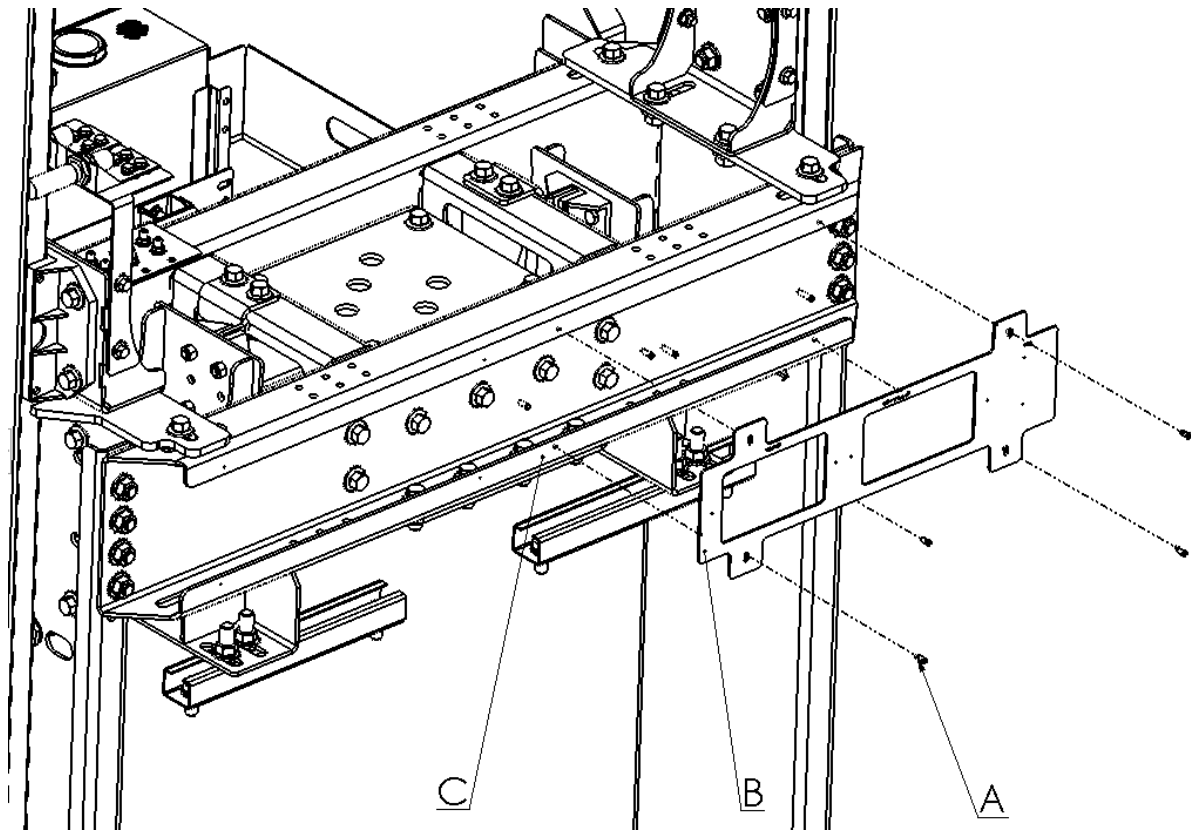
Cabin Frame



- A- Screw M5x40 ISO 4762
- B- Limit switch holder
- C- Limit switch sensor
- D- T2-clips



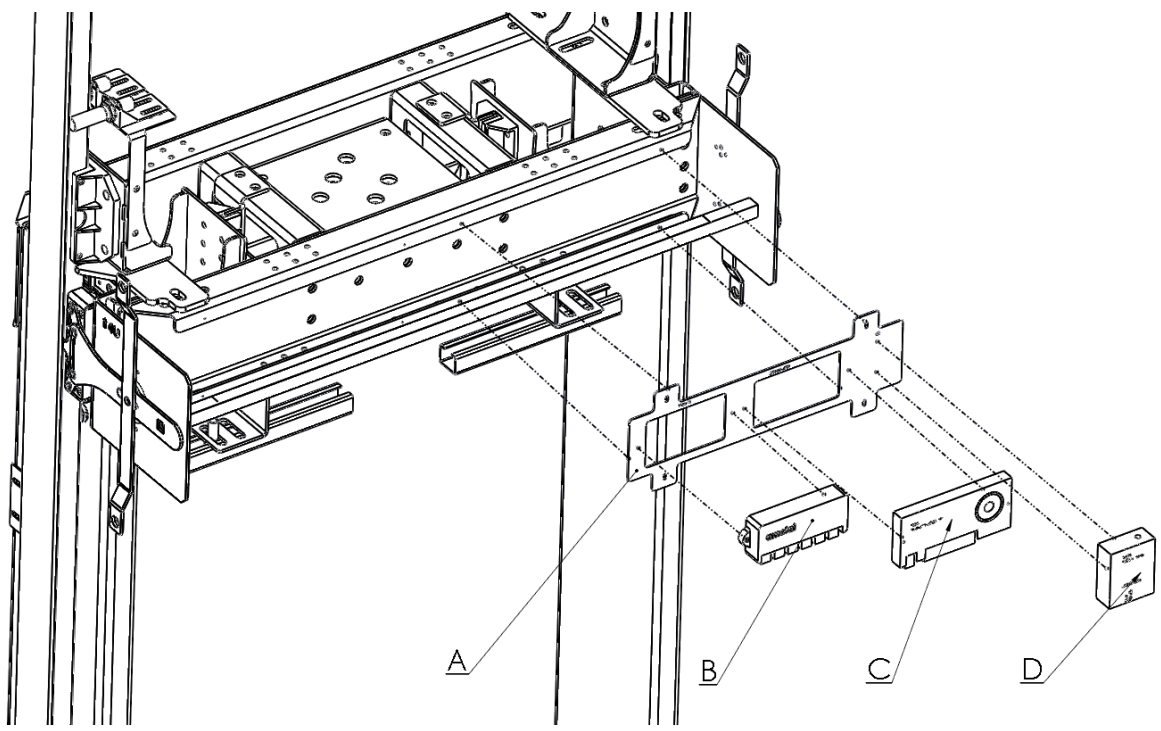
Cabin Frame



- A- Screw M2.9x9.5 DIN7504
- B- Holder for electronics
- C- Cabin top horizontal frame



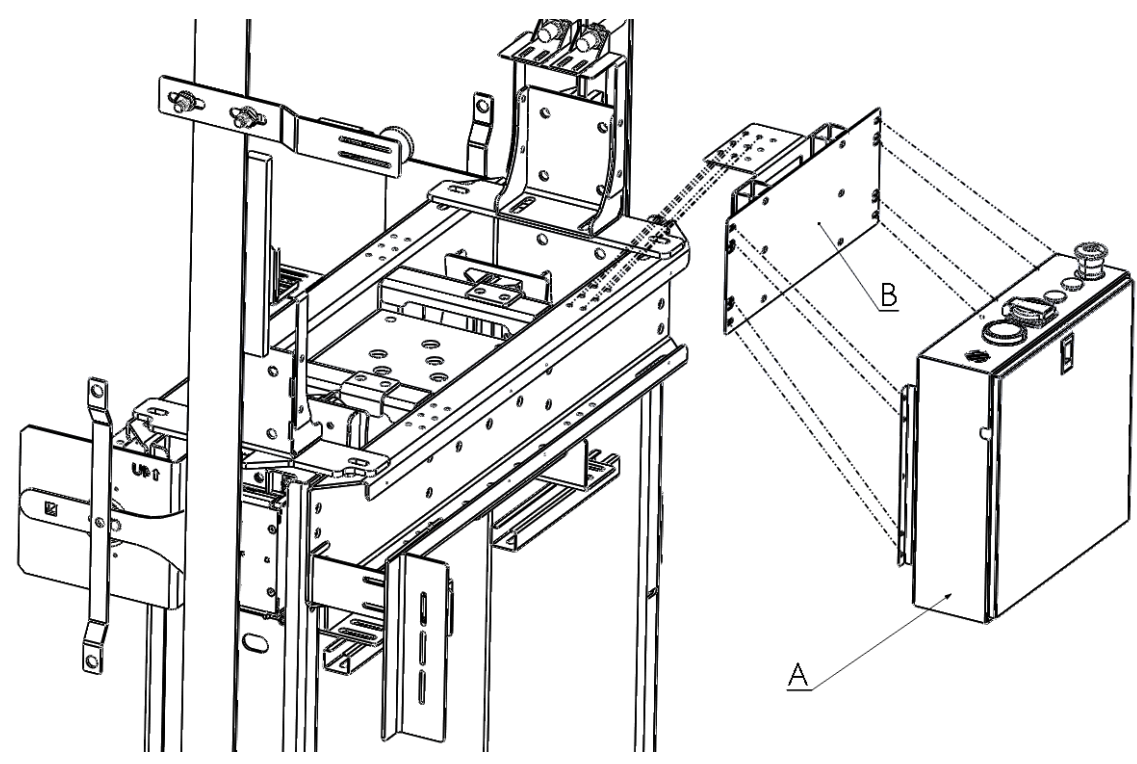
Cabin Frame



- A- Holder for electronics
- B- LWS electronics unit
- C- Combi master lift
- D- GSM

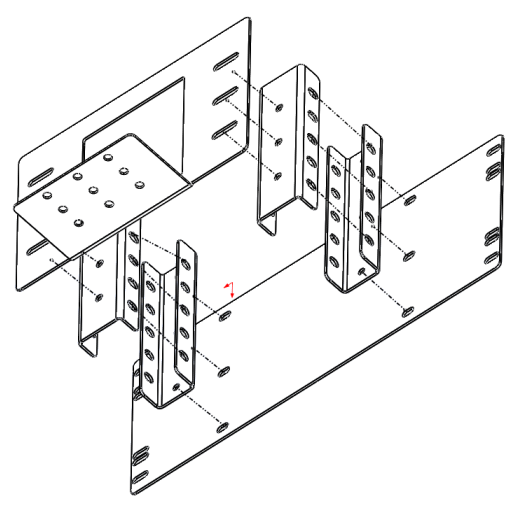


Cabin Frame



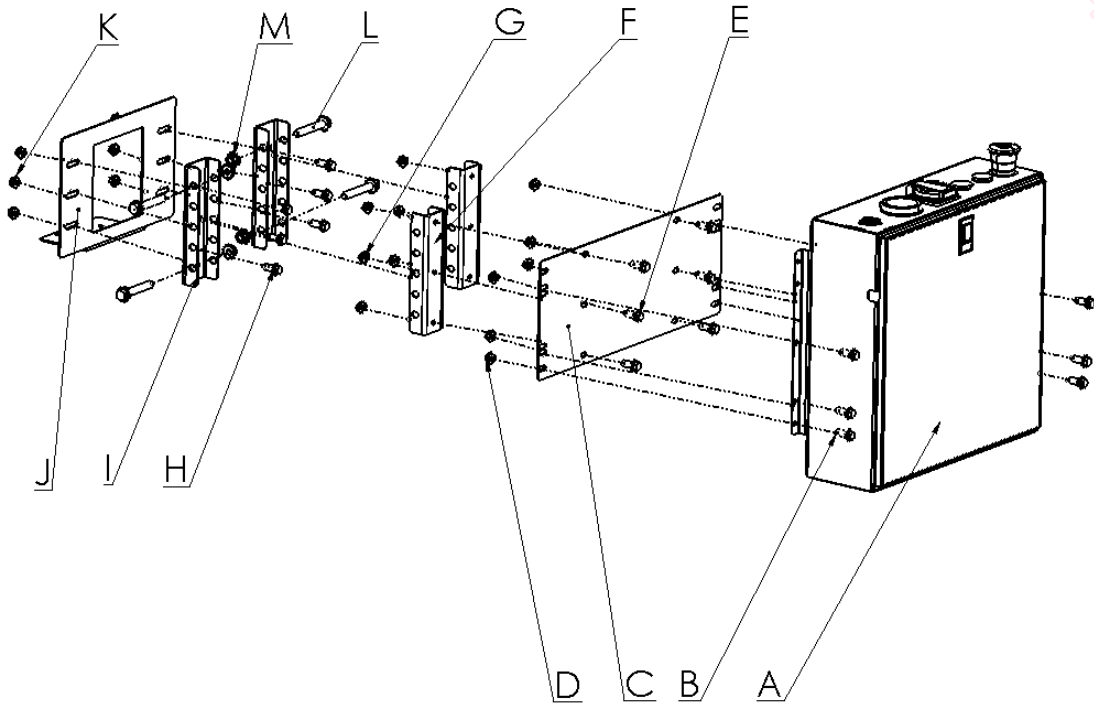
- A- Inspection box
- B- Holder for inspection box

Detail B- Holder for inspection box





Cabin Frame

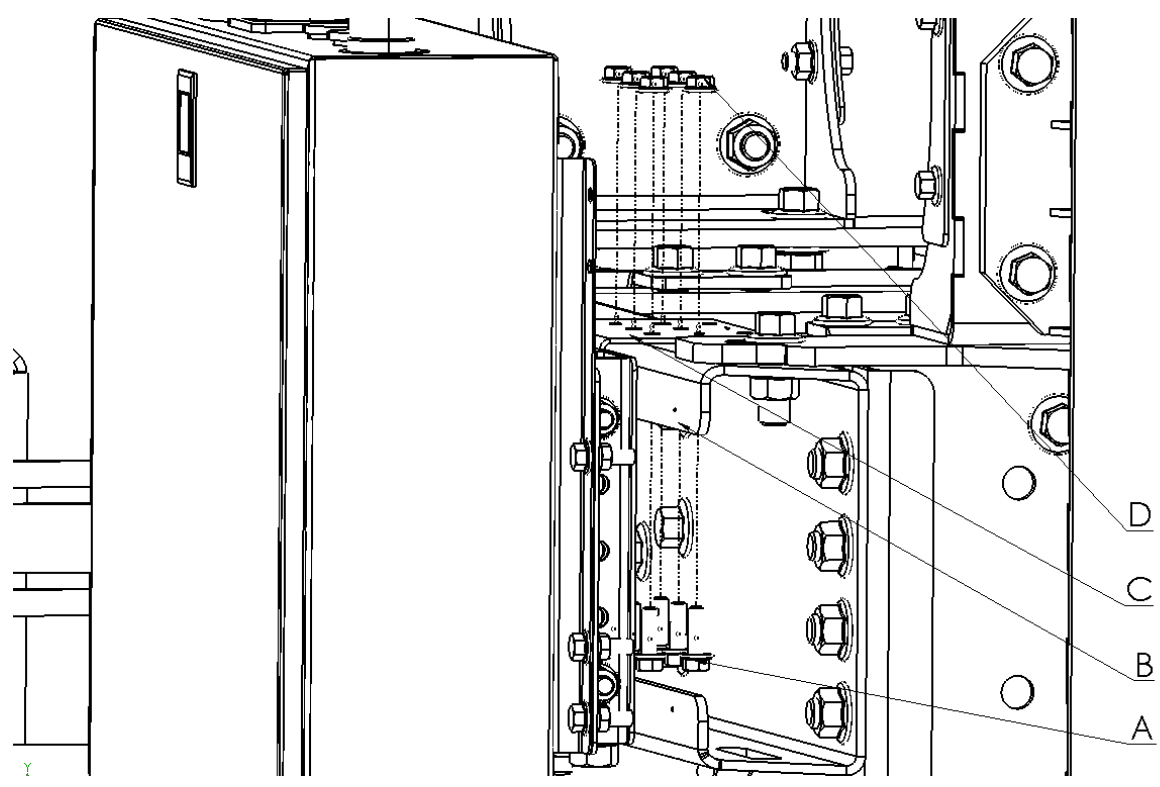


- A- Inspection box
- B- Bolt M6x20 DIN 6921
- C- Sheet for holder insception box
- D- Nut M6 DIN 6923
- E- Bolt M6x20 DIN 6921
- F- Sheet for holder insception box 2
- G- Nut M6 DIN 6923
- H- Bolt M6x20 DIN 6921
- i- Sheet for holder insception box 3
- J- Connecting sheet for holder insception box
- K- Nut M6 DIN 6923
- L- Bolt M8x60 DIN 6921
- M- Nut M8 DIN 6923



Cabin Frame

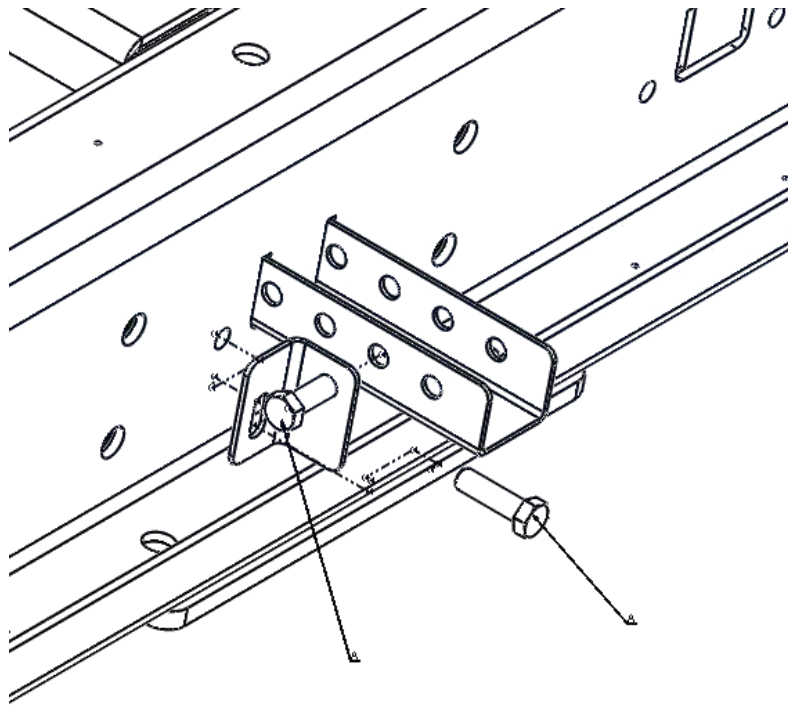
Installation Manual



- A- Bolt M6x20 DIN 6921
- B- Cabin top horizontal frame
- C- Holder for inspection box
- D- Nut M6 DIN 4161



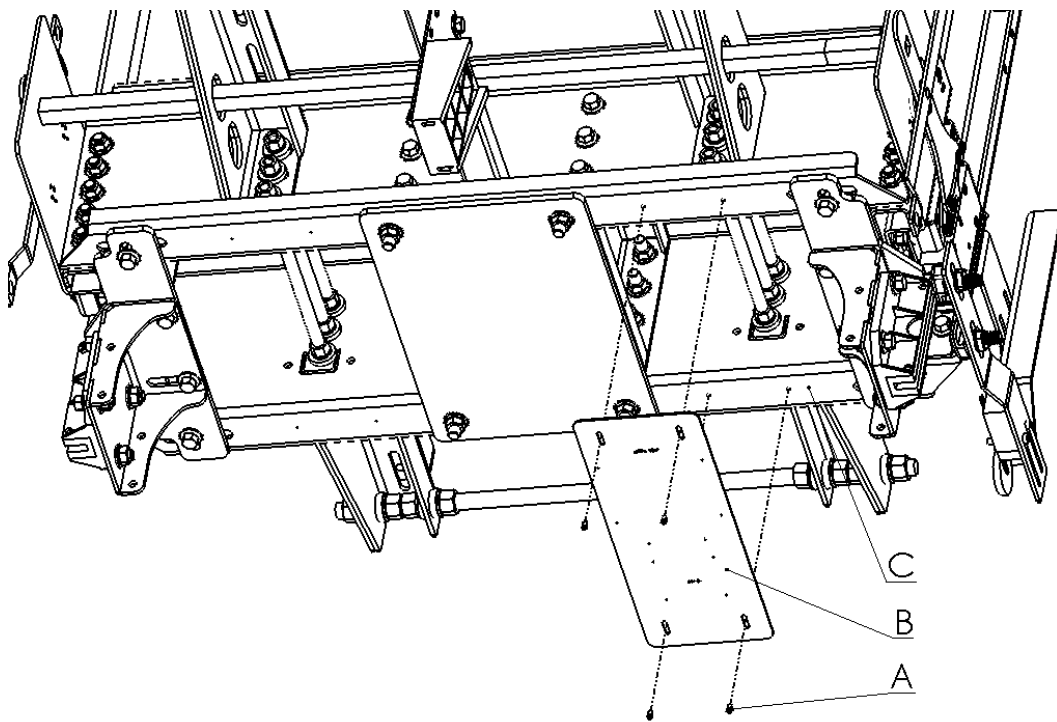
Cabin Frame



- A- Bolt M8x20 ISO 4162
- B- Nut M8 DIN 6923
- C- Washer 7.3 ISO 10673



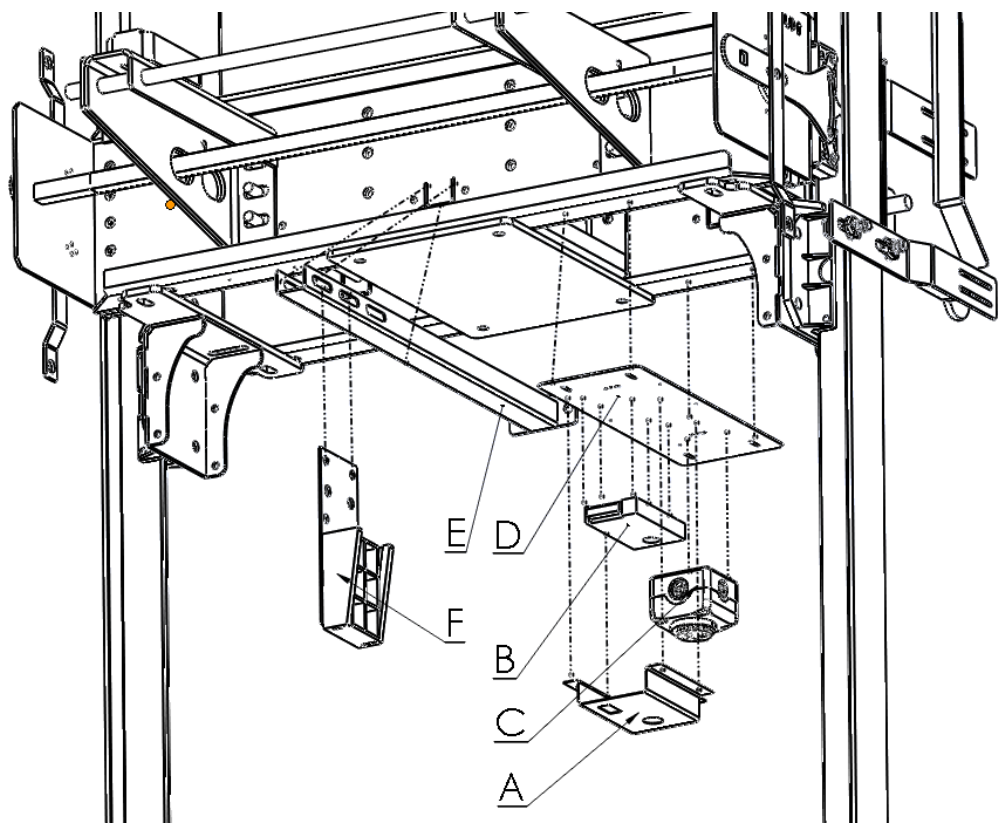
Cabin Frame



- A- Screw M2.9x9.5 DIN 7504
- B- Sheet for speaker and buzzer
- C- Cabin bottom horizontal frame



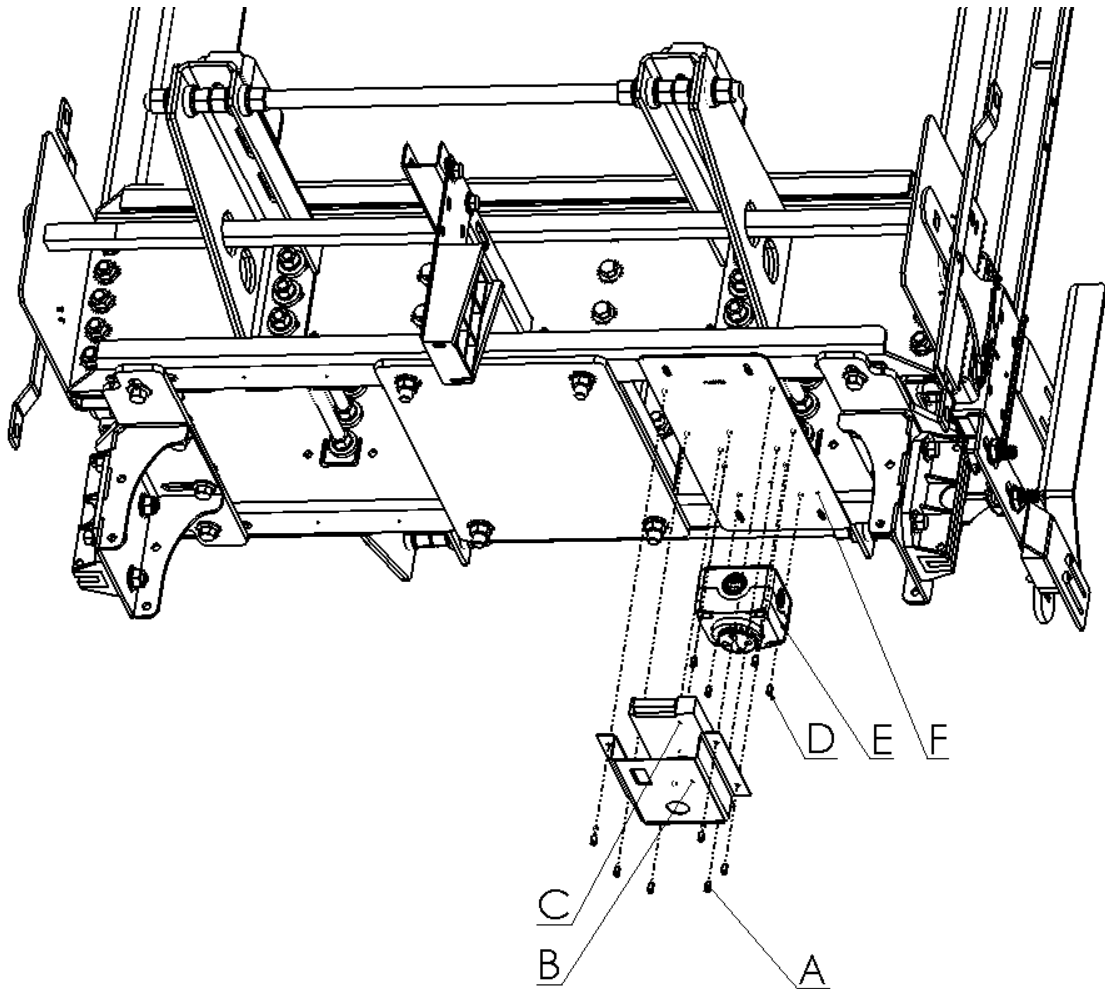
Cabin Frame



- A- Cover for speaker
- B- Speaker
- C- Cabin buzzer
- D- Sheet for speaker and buzzer
- E- Strip
- F- Holder for cable



Cabin Frame



- A- Screw M2.9x6.5 DIN 7504
- B- Cover for speaker
- C- Speaker
- D- Screw M2.9x9.5 DIN 7504
- E- Cabin buzzer
- F- Sheet for speaker and buzzer